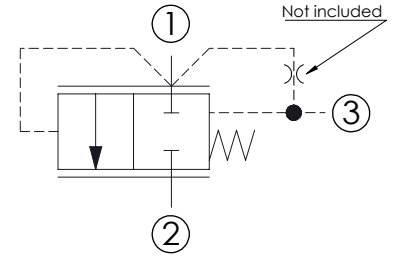
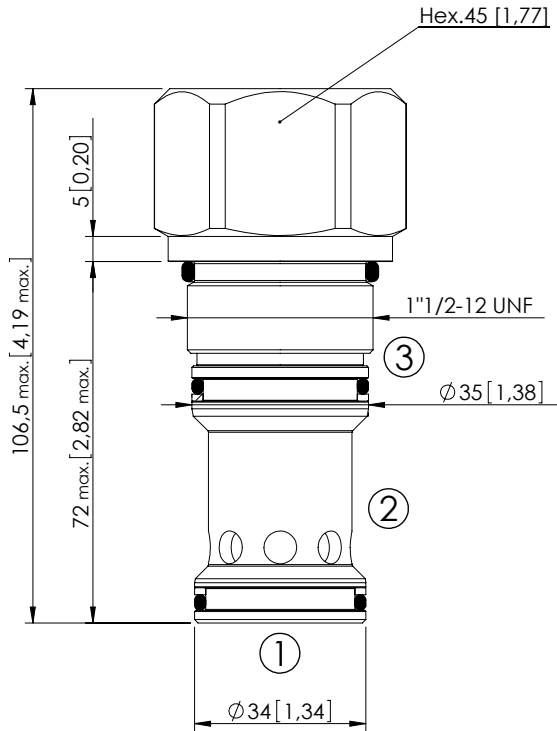


# CDLN-500-SCTD

NORMALLY CLOSED  
SPOOL TYPE  
INTERNAL ORIFICE



## SPECIFICATIONS

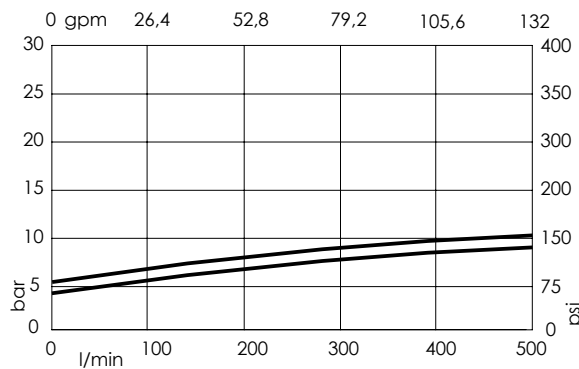
Max. operating pressure:	350 bar (5000 psi)
Rated flow:	500 l/min (132 gpm)
Cavity:	VP000178
Weight:	0,74 kg (1,63 lbs)
Spool:	$\phi 22$ mm [0,87]
Installation torque:	280 - 300 Nm (207-221 ft-lb)
Internal orifice:	M6 thread
Seal kit:	RC700178
Contamination class to ISO 4406:	See technical spec.
MTTFa:	150 years

Dimensions: mm [inches]

## NOTES

Parts in body compensator

## CURVES



## ORDERING CODES

Quick code	Description	Cracking pressure
CD000067	CDLN-500-SCTD-13-178-N005	5 bar (75 psi)
CD000335	CDLN-500-SCTD-13-178-N004	4 bar (50 psi)