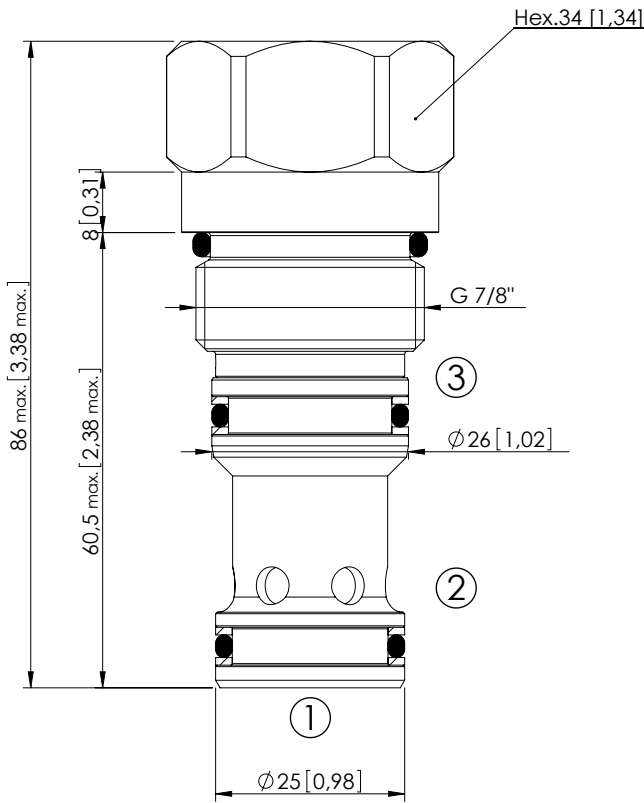
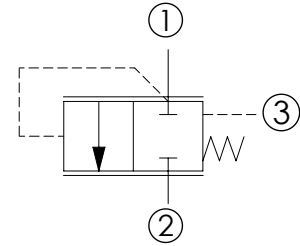


CDLN-160-SCTC

NORMALLY CLOSED
SPOOL TYPE



Dimensions: mm [inches]



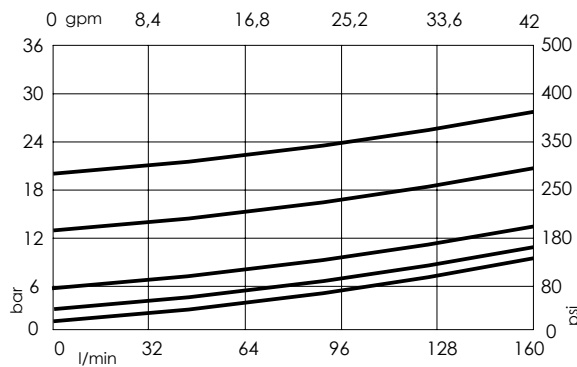
SPECIFICATIONS

Max. operating pressure:	350 bar (5000 psi)
Rated flow:	160 l/min (42 gpm)
Cavity:	VP000065
Weight:	0,33 kg (0,73 lbs)
Spool:	Ø16 mm [0,63]
Installation torque:	135 - 145 Nm (100 - 107 ft-lb)
Seal kit:	RD900065
Contamination class to ISO 4406:	See technical spec.
MTTFa:	150 years

NOTES

Parts in body compensator

CURVES



ORDERING CODES

Quick code	Description	Cracking pressure
CD000158	CDLN-160-SCTC-14-065-N000	0,4 bar (5 psi)
CD000076	CDLN-160-SCTC-14-065-N002	2 bar (25 psi)
CD000051	CDLN-160-SCTC-14-065-N005	5,5 bar (75 psi)
CD000147	CDLN-160-SCTC-14-065-N012	12,5 bar (180 psi)
CD000248	CDLN-160-SCTC-14-065-N020	20,5 bar (300 psi)