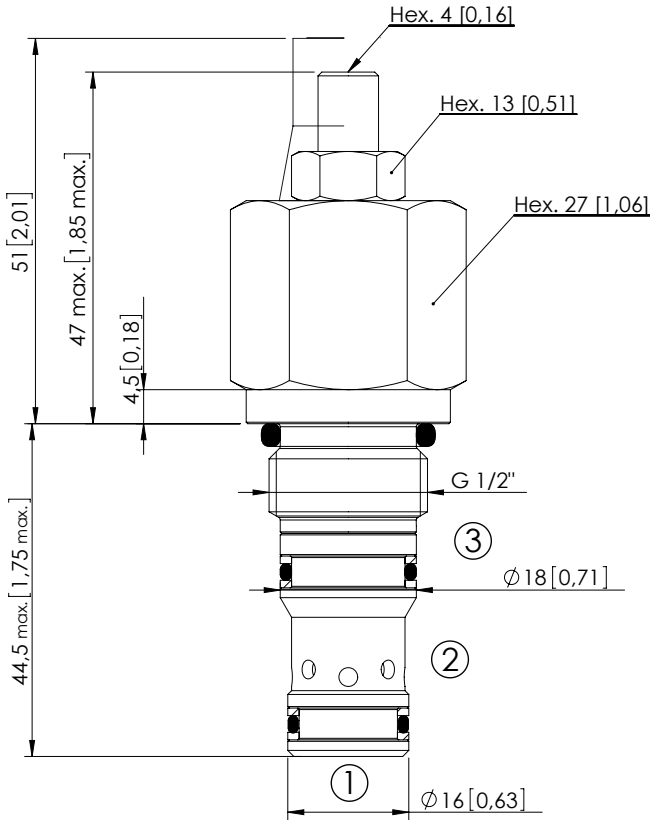
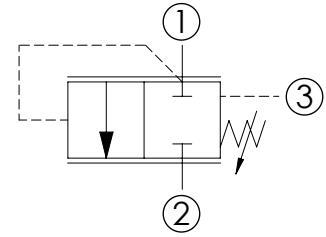


CDLN-100-SCPC

NORMALLY CLOSED
SPOOL TYPE
ADJUSTABLE SETTING



Dimensions: mm [inches]



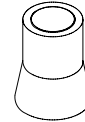
SPECIFICATIONS

Max. operating pressure:	350 bar (5000 psi)
Rated flow:	100 l/min (26 gpm)
Cavity:	VP000198
Weight:	0,2 kg (0,44 lbs)
Spool:	Ø10 mm [0,39]
Installation torque:	75 - 85 Nm (55 - 63 ft-lb)
Seal kit:	RD700198
Contamination class to ISO 4406:	See technical spec.
MTTF _a :	150 years

NOTES

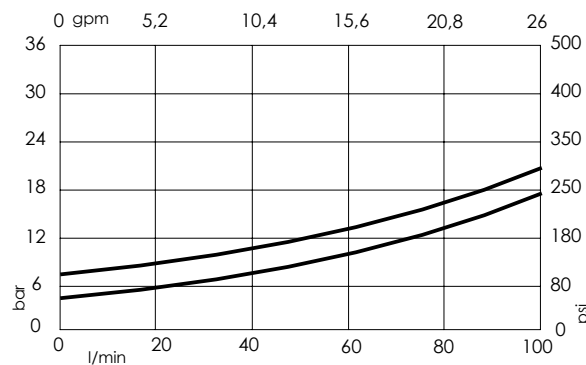
Parts in body compensator

SEALING CAP



Ordering code:
AT000020

CURVES



ORDERING CODES

Quick code	Description	Cracking pressure	Adjustment range	Pressure increase
CD000358	CDLN-100-SCPC-01-198-H020	5 bar (75 psi)	10 - 20 bar (150-300 psi)	3,5 bar/turn (50 psi/turn)