



ATLANTIC
Fluid Tech

SECTION 10

Check and
Metering
Valves

SECTION 10

CHECK AND METERING VALVES

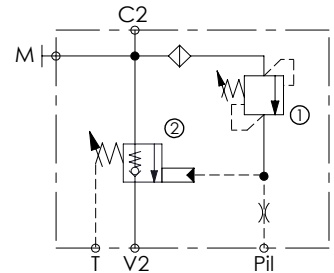
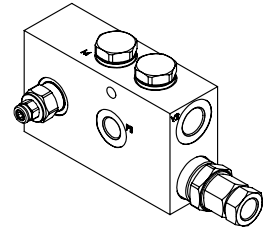
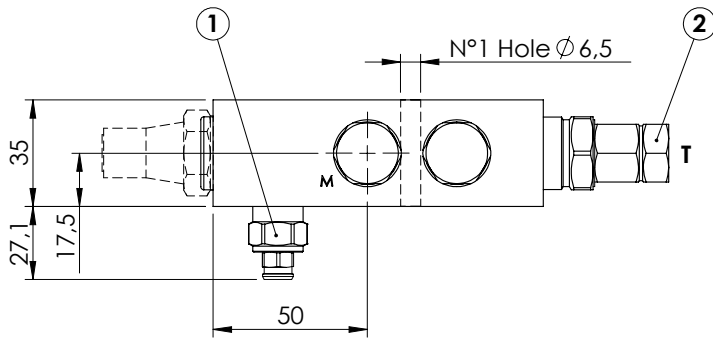
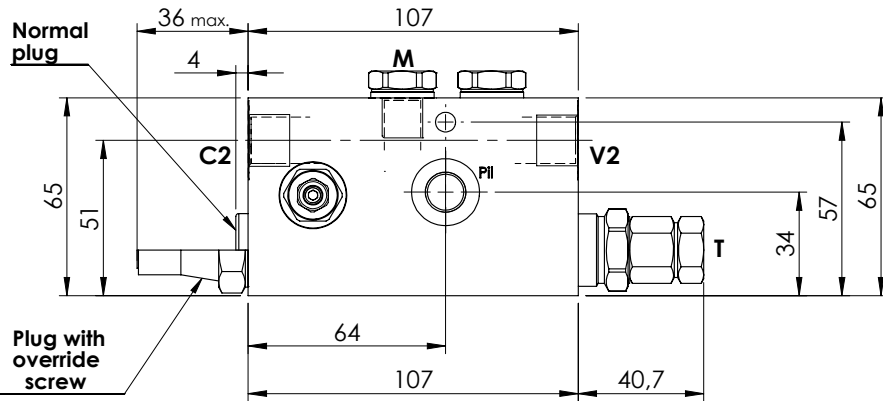


Hydraulic scheme	Valve description	Valve type	Rated flow (l/min)	Max. pressure (bar)	Installation	Main port size or cavity type	Page
	MLST-040-ALGR	Right version	40	420	In line	G 3/8"	10.01.010
	MLST-040-ALGL	Left version	40	420	In line	G 3/8"	10.01.020
	MLST-100-ALGR	Right version	100	420	In line	G 1/2"	10.01.030
	MLST-100-ALGL	Left version	100	420	In line	G 1/2"	10.01.040
	MLST-150-ALGR	Right version	150	420	In line	G 3/4"	10.01.050
	MLST-150-ALGL	Left version	150	420	In line	G 3/4"	10.01.060
	MLST-100-AAGN	Right and left version	150	420	Flanged	1/2" SAE 6000	10.02.070
	MLST-150-AAGN	Right and left version	150	420	Flanged	1/2" SAE 6000	10.02.080
	MLST-200-AAGN	Right and left version	250	420	Flanged	3/4" SAE 6000	10.02.090
	MLST-200-AAGN	Right and left version	250	420	Flanged	1" SAE 6000	10.02.100
	MLTT-300-AAGR	Right and left version	350	420	Flanged	3/4" SAE 6000	10.02.110
	MLST-300-AAGN	Right and left version	400	420	Flanged	1" SAE 6000	10.02.120
	MLST-300-AAGN	Right and left version	500	420	Flanged	1 1/4" SAE 6000	10.02.130
	MLST-500-AAJN	Right and left version	500	420	Flanged	3/4" SAE 6000	10.03.140
	MLST-500-AAGN	Right and left version	500	420	Flanged	1" SAE 6000	10.03.150
	MLST-550-AAGN	Right and left version	500	420	Flanged	1 1/4" SAE 6000	10.03.160
	MLST-700-AAGN	Right and left version	700	420	Flanged	1 1/4" SAE 6000	10.03.170
	MLST-700-AAGN	Right and left version	700	420	Flanged	1 1/2" SAE 6000	10.03.180
	MLST-1400-AAGN	Right and left version	1400	420	Flanged	1 1/2" SAE 6000	10.04.190
	MLST-1400-AAGR	Right version	1400	420	Flanged	2" SAE 6000	10.04.200
	MLST-1400-AAGL	Left version	1400	420	Flanged	2" SAE 6000	10.04.210
	MLST-1500-AAGR	Right version	1500	420	Flanged	2" SAE 6000 3" SAE 6000	10.04.220
	MLST-1500-AAGL	Left version	1500	420	Flanged	2" SAE 6000 3" SAE 6000	10.04.230

CHECK AND METERING VALVE

MLST-040-ALGR

IN LINE VERSION
RIGHT VERSION

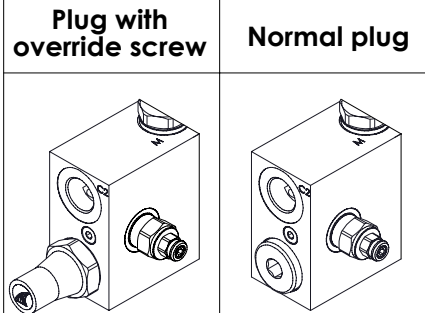
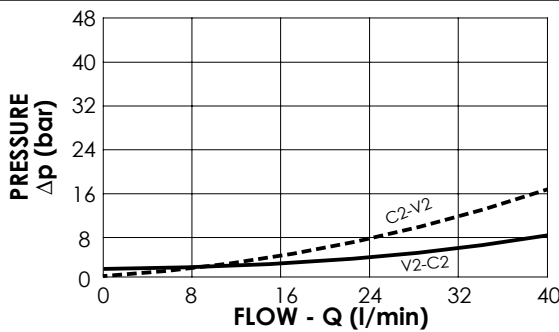


SPECIFICATIONS

Max. operating pressure:	420 bar
Rated flow:	40 l/min
Manifold:	Steel
Weight:	1,86 kg

NOTES

When correctly adjusted for the specific excavator installation, these valves meet the requirement of ISO 8643



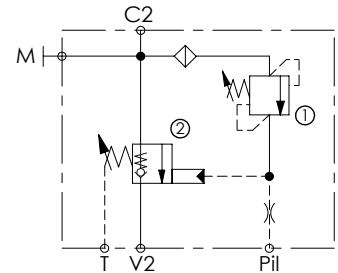
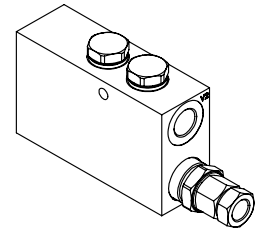
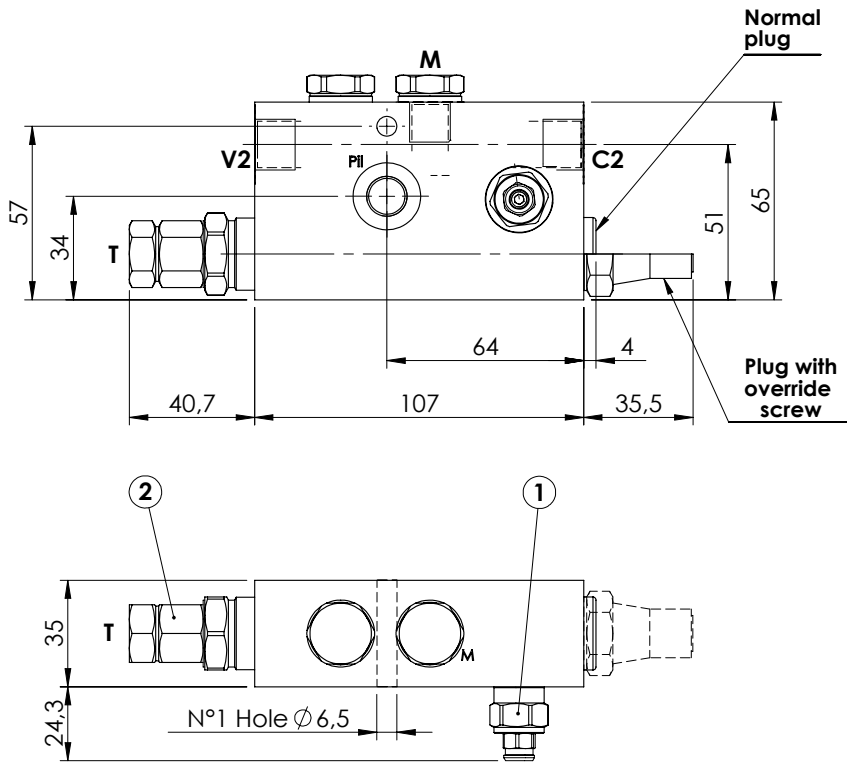
ORDERING CODES

Quick code	Description	Main ports size	Plug with override screw	Standard setting (bar)	Adjust. range (bar)	Pressure increase (bar/turn)
ML000143	MLST-040-ALGR-00-G38-N420	V2,C2: G 3/8" Pil,T,M: G 1/4"	No	① 350 Q=5 l/min ② 7.5 Crack. pr.	① 150-420 ② 3-15	① 236 ② 6.7
ML000144	MLST-040-ALGR-00-G38-E420	V2,C2: G 3/8" Pil,T,M: G 1/4"	Yes	① 350 Q=5 l/min ② 7.5 Crack. pr.	① 150-420 ② 3-15	① 236 ② 6.7
ML000185	MLST-040-ALGR-00-J38-N420	V2,C2: JIS 3/8" Pil,T,M: JIS 1/4"	No	① 350 Q=5 l/min ② 7.5 Crack. pr.	① 150-420 ② 3-15	① 236 ② 6.7
ML000186	MLST-040-ALGR-00-J38-E420	V2,C2: JIS 3/8" Pil,T,M: JIS 1/4"	Yes	① 350 Q=5 l/min ② 7.5 Crack. pr.	① 150-420 ② 3-15	① 236 ② 6.7

CHECK AND METERING VALVE

MLST-040-ALGL

IN LINE VERSION
LEFT VERSION

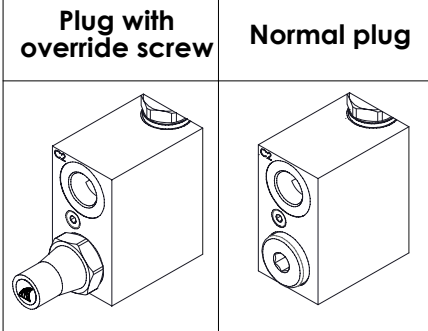
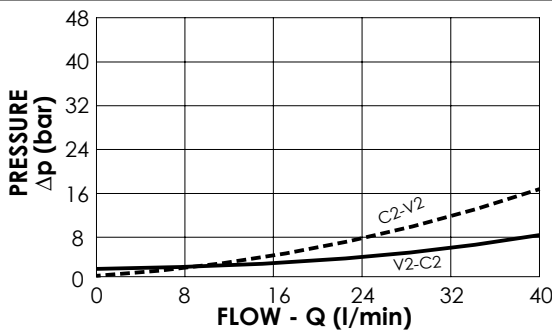


SPECIFICATIONS

Max. operating pressure:	420 bar
Rated flow:	40 l/min
Manifold:	Steel
Weight:	1,86 kg

NOTES

When correctly adjusted for the specific excavator installation, these valves meet the requirement of ISO 8643



ORDERING CODES

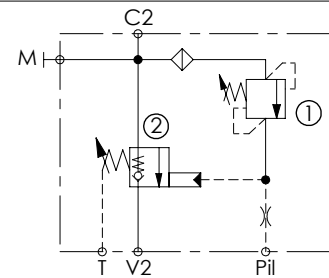
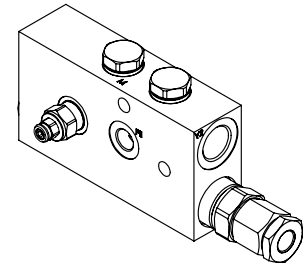
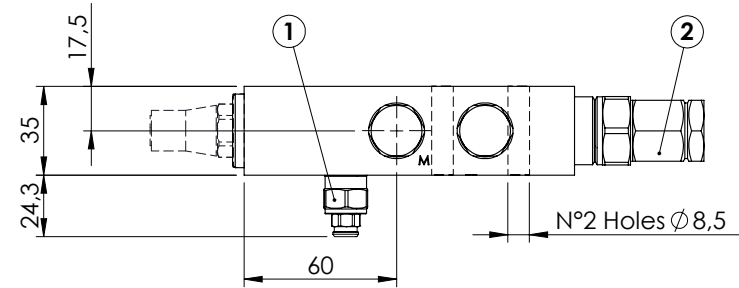
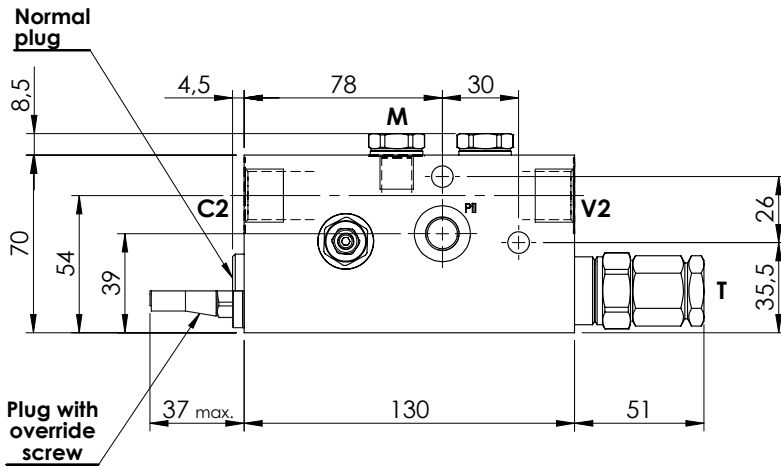
Quick code	Description	Main ports size	Plug with override screw	Standard setting (bar)	Adjust. range (bar)	Pressure increase (bar/turn)
ML000145	MLST-040-ALGL-00-G38-N420	V2,C2: G 3/8" P11,T,M: G 1/4"	No	① 350 Q=5 l/min ② 7.5 Crack. pr.	① 150-420 ② 3-15	① 236 ② 6.7
ML000146	MLST-040-ALGL-00-G38-E420	V2,C2: G 3/8" P11,T,M: G 1/4"	Yes	① 350 Q=5 l/min ② 7.5 Crack. pr.	① 150-420 ② 3-15	① 236 ② 6.7
ML000187	MLST-040-ALGL-00-J38-N420	V2,C2: JIS 3/8" P11,T,M: JIS 1/4"	No	① 350 Q=5 l/min ② 7.5 Crack. pr.	① 150-420 ② 3-15	① 236 ② 6.7
ML000188	MLST-040-ALGL-00-J38-E420	V2,C2: JIS 3/8" P11,T,M: JIS 1/4"	Yes	① 350 Q=5 l/min ② 7.5 Crack. pr.	① 150-420 ② 3-15	① 236 ② 6.7

CHECK AND METERING VALVE



MLST-100-ALGR

IN LINE VERSION
RIGHT VERSION

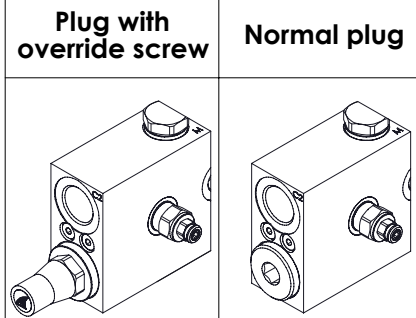
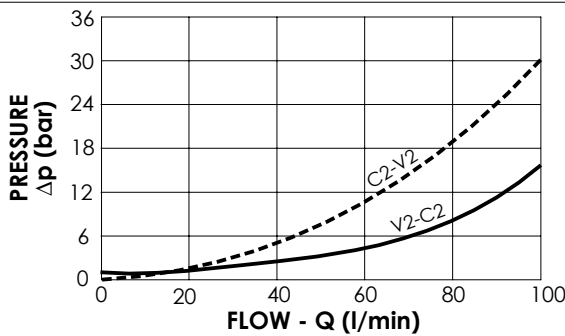


SPECIFICATIONS

Max. operating pressure:	420 bar
Rated flow:	100 l/min
Manifold:	Steel
Weight:	2,39 kg

NOTES

When correctly adjusted for the specific excavator installation, these valves meet the requirement of ISO 8643



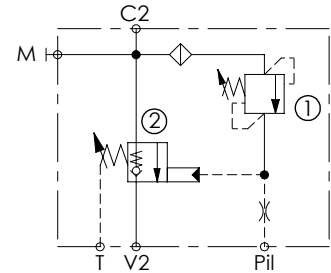
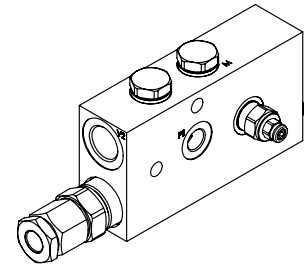
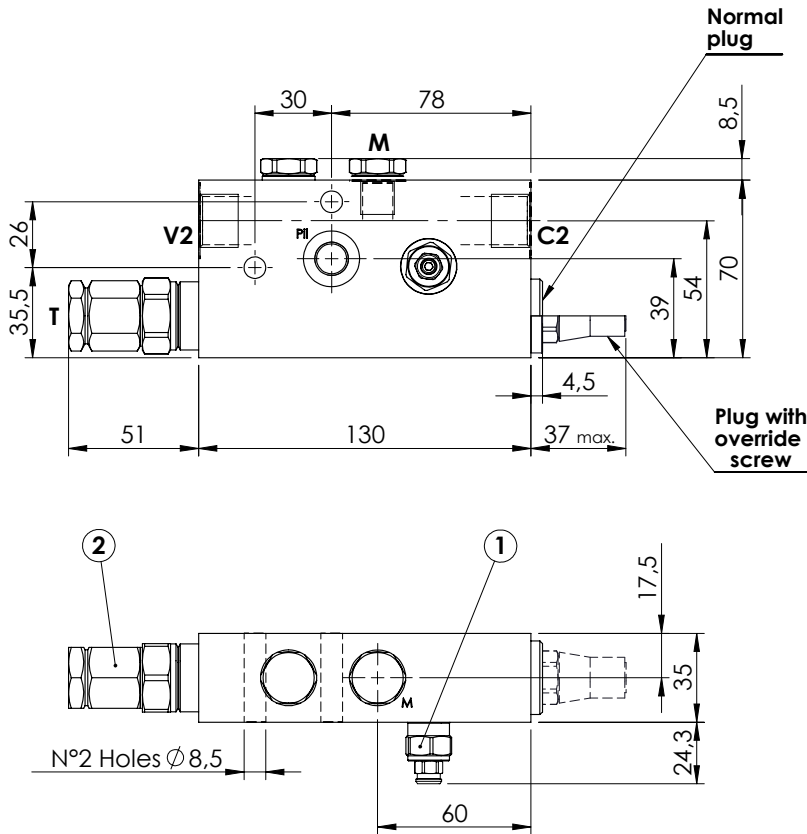
ORDERING CODES

Quick code	Description	Main ports size	Plug with override screw	Standard setting (bar)	Adjust. range (bar)	Pressure increase (bar/turn)
ML000134	MLST-100-ALGR-00-G12-N420	V2,C2: G 1/2" Pii, T, M: G 1/4"	No	① 350 Q=5 l/min ② 7.5 Crack. pr.	① 150-420 ② 3-15	① 236 ② 7
ML000147	MLST-100-ALGR-00-G12-E420	V2,C2: G 1/2" Pii, T, M: G 1/4"	Yes	① 350 Q=5 l/min ② 7.5 Crack. pr.	① 150-420 ② 3-15	① 236 ② 7
ML000135	MLST-100-ALGR-00-J12-N420	V2,C2: JIS 1/2" Pii, T, M: JIS 1/4"	No	① 350 Q=5 l/min ② 7.5 Crack. pr.	① 150-420 ② 3-15	① 236 ② 7
ML000148	MLST-100-ALGR-00-J12-E420	V2,C2: JIS 1/2" Pii, T, M: JIS 1/4"	Yes	① 350 Q=5 l/min ② 7.5 Crack. pr.	① 150-420 ② 3-15	① 236 ② 7

CHECK AND METERING VALVE

MLST-100-ALGL

IN LINE VERSION
LEFT VERSION

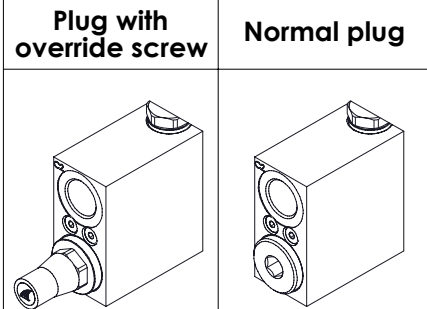
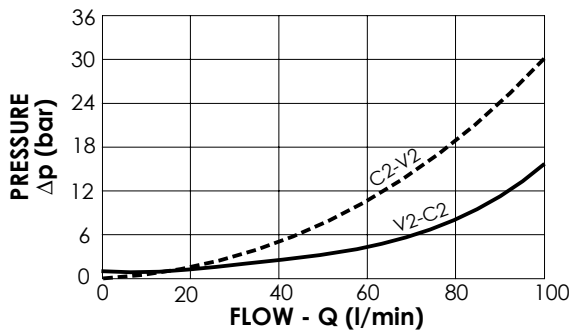


SPECIFICATIONS

Max. operating pressure:	420 bar
Rated flow:	100 l/min
Manifold:	Steel
Weight:	2,39 kg

NOTES

When correctly adjusted for the specific excavator installation, these valves meet the requirement of ISO 8643



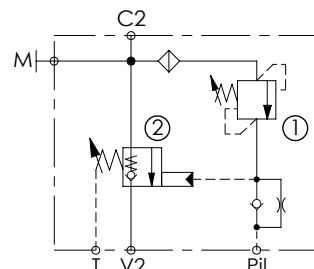
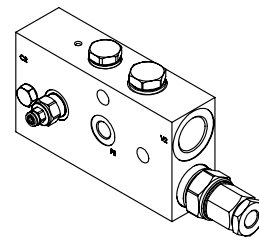
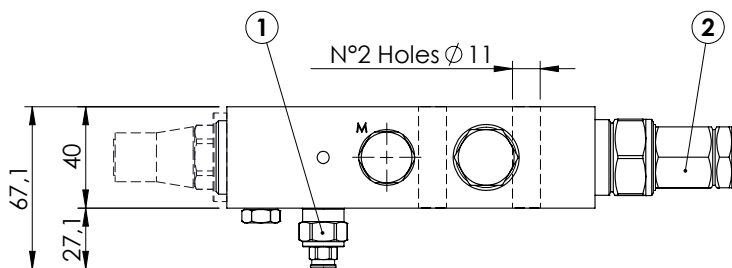
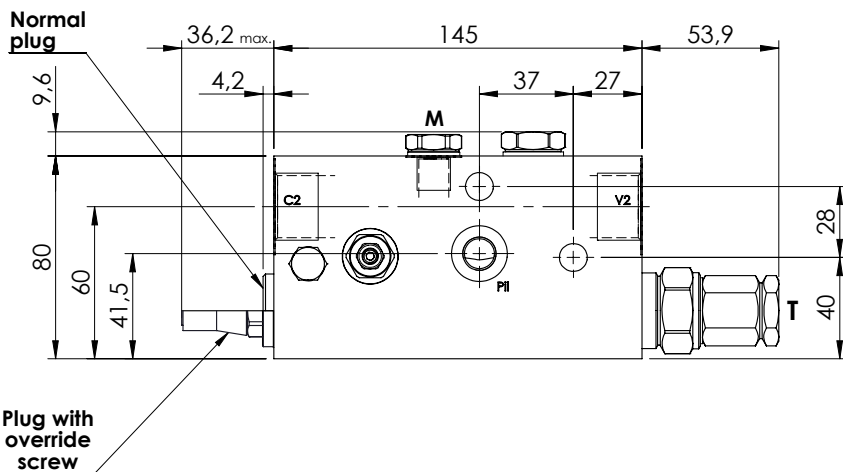
ORDERING CODES

Quick code	Description	Main ports size	Plug with override screw	Standard setting (bar)	Adjust. range (bar)	Pressure increase (bar/turn)
ML000136	MLST-100-ALGL-00-G12-N420	V2,C2: G 1/2" Pi, T, M: G 1/4"	No	① 350 Q=5 l/min ② 7.5 Crack. pr.	① 150-420 ② 3-15	① 236 ② 7
ML000149	MLST-100-ALGL-00-G12-E420	V2,C2: G 1/2" Pi, T, M: G 1/4"	Yes	① 350 Q=5 l/min ② 7.5 Crack. pr.	① 150-420 ② 3-15	① 236 ② 7
ML000137	MLST-100-ALGL-00-J12-N420	V2,C2: JIS 1/2" Pi, T, M: JIS 1/4"	No	① 350 Q=5 l/min ② 7.5 Crack. pr.	① 150-420 ② 3-15	① 236 ② 7
ML000150	MLST-100-ALGL-00-J12-E420	V2,C2: JIS 1/2" Pi, T, M: JIS 1/4"	Yes	① 350 Q=5 l/min ② 7.5 Crack. pr.	① 150-420 ② 3-15	① 236 ② 7

CHECK AND METERING VALVE

MLST-150-ALGR

IN LINE VERSION
RIGHT VERSION

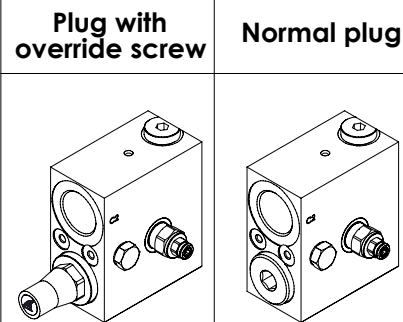
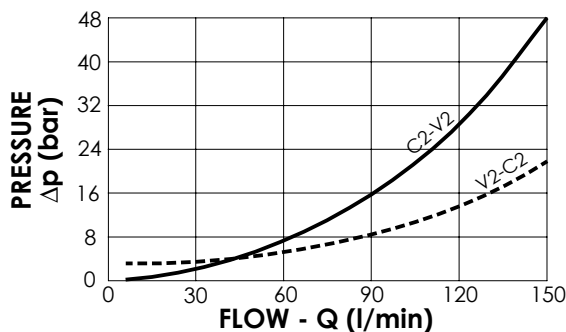


SPECIFICATIONS

Max. operating pressure:	420 bar
Rated flow:	150 l/min
Manifold:	Steel
Weight:	3,35 kg

NOTES

When correctly adjusted for the specific excavator installation, these valves meet the requirement of ISO 8643



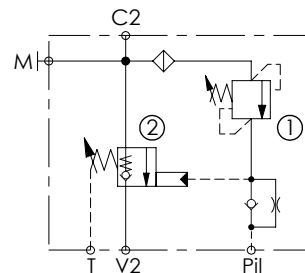
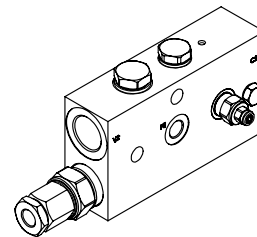
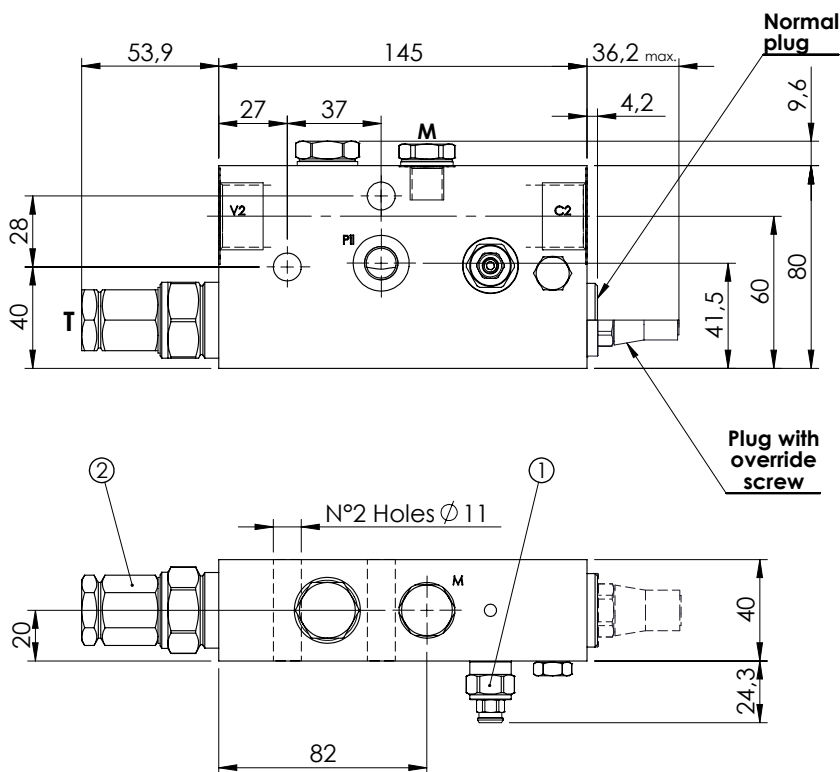
ORDERING CODES

Quick code	Description	Main ports size	Plug with override screw	Standard setting (bar)	Adjust. range (bar)	Pressure increase (bar/turn)
ML000126	MLST-150-ALGR-00-G34-N420	V2,C2: G 3/4" Pii,T,M: G 1/4"	No	① 350 Q=5 l/min ② 7.5 Crack. pr.	① 150-420 ② 3-15	① 236 ② 8
ML000011	MLST-150-ALGR-00-G34-E420	V2,C2: G 3/4" Pii,T,M: G 1/4"	Yes	① 350 Q=5 l/min ② 7.5 Crack. pr.	① 150-420 ② 3-15	① 236 ② 8
ML000122	MLST-150-ALGR-00-U11-N420	V2,C2: 1 1/16-12 UNF Pii,T: 9/16-18 UNF M: G 1/4"	No	① 350 Q=5 l/min ② 7.5 Crack. pr.	① 150-420 ② 3-15	① 236 ② 8
ML000029	MLST-150-ALGR-00-U11-E420	V2,C2: 1 1/16-12 UNF Pii,T: 9/16-18 UNF M: G 1/4"	Yes	① 350 Q=5 l/min ② 7.5 Crack. pr.	① 150-420 ② 3-15	① 236 ② 8
ML000123	MLST-150-ALGR-00-J34-N420	V2,C2: 3/4" JIS Pii,T,M: 1/4" JIS	No	① 350 Q=5 l/min ② 7.5 Crack. pr.	① 150-420 ② 3-15	① 236 ② 8
ML000105	MLST-150-ALGR-00-J34-E420	V2,C2: 3/4" JIS Pii,T,M: 1/4" JIS	Yes	① 350 Q=5 l/min ② 7.5 Crack. pr.	① 150-420 ② 3-15	① 236 ② 8

CHECK AND METERING VALVE

MLST-150-ALGL

IN LINE VERSION
LEFT VERSION

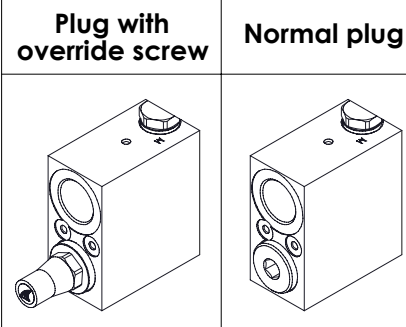
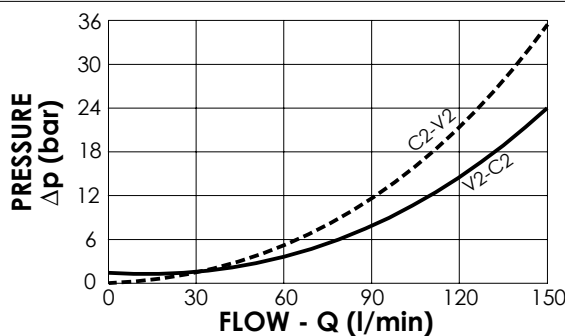


SPECIFICATIONS

Max. operating pressure:	420 bar
Rated flow:	150 l/min
Manifold:	Steel
Weight:	3,35 kg

NOTES

When correctly adjusted for the specific excavator installation, these valves meet the requirement of ISO 8643



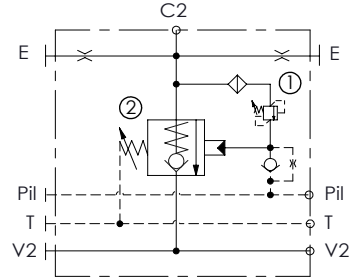
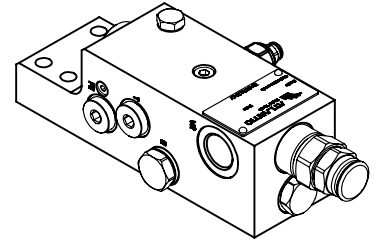
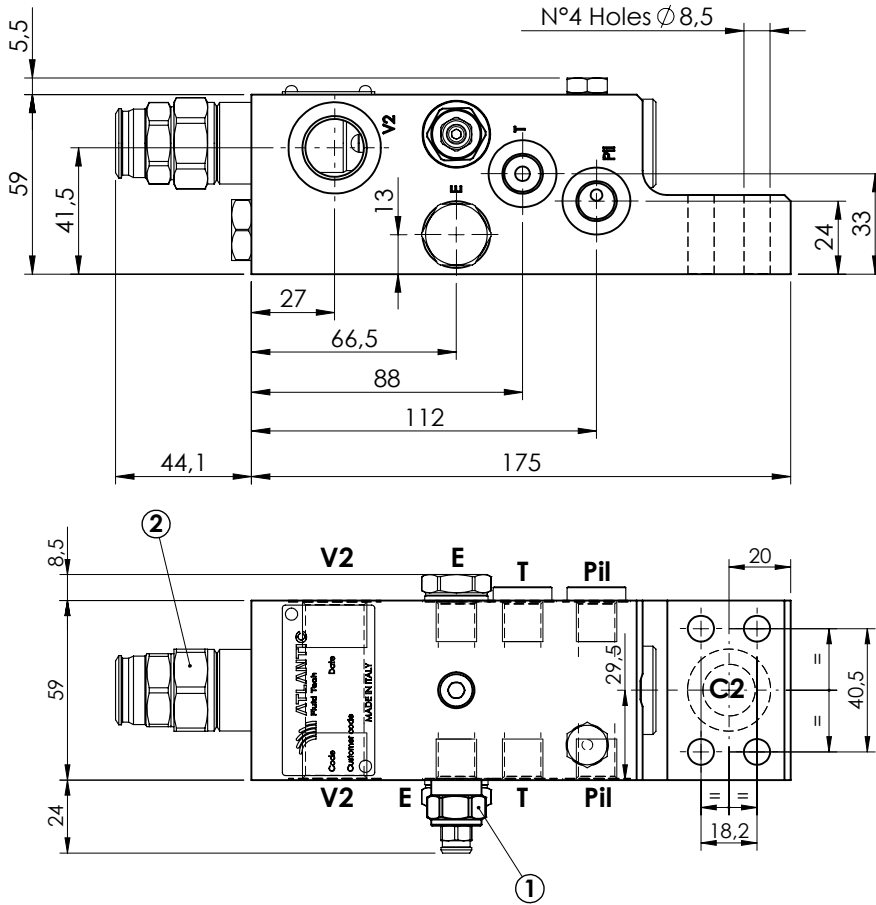
ORDERING CODES

Quick code	Description	Main ports size	Plug with override screw	Standard setting (bar)	Adjust. range (bar)	Pressure increase (bar/turn)
ML000121	MLST-150-ALGL-00-G34-N420	V2,C2: G 3/4" P11,T,M: G 1/4"	No	① 350 Q=5 l/min ② 7.5 Crack. pr.	① 150-420 ② 3-15	① 236 ② 8
ML000010	MLST-150-ALGL-00-G34-E420	V2,C2: G 3/4" P11,T,M: G 1/4"	Yes	① 350 Q=5 l/min ② 7.5 Crack. pr.	① 150-420 ② 3-15	① 236 ② 8
ML000124	MLST-150-ALGL-00-U11-N420	V2,C2: 1 1/16-12 UNF P11,T: 9/16-18 UNF M: G 1/4"	No	① 350 Q=5 l/min ② 7.5 Crack. pr.	① 150-420 ② 3-15	① 236 ② 8
ML000030	MLST-150-ALGL-00-U11-E420	V2,C2: 1 1/16-12 UNF P11,T,M: 9/16-18 UNF M: G 1/4"	Yes	① 350 Q=5 l/min ② 7.5 Crack. pr.	① 150-420 ② 3-15	① 236 ② 8
ML000125	MLST-150-ALGL-00-J34-N420	V2,C2: 3/4" JIS P11,T,M: 1/4" JIS	No	① 350 Q=5 l/min ② 7.5 Crack. pr.	① 150-420 ② 3-15	① 236 ② 8
ML000104	MLST-150-ALGL-00-J34-E420	V2,C2: 3/4" JIS P11,T,M: 1/4" JIS	Yes	① 350 Q=5 l/min ② 7.5 Crack. pr.	① 150-420 ② 3-15	① 236 ② 8

CHECK AND METERING VALVE

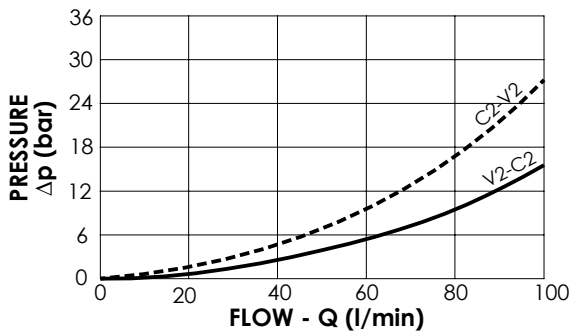
MLST-100-AAGN

FLANGED TYPE
1/2" SAE 6000



SPECIFICATIONS

Max. operating pressure:	420 bar
Rated flow:	100 l/min
Manifold:	Steel
Weight:	3,87 kg



NOTES

When correctly adjusted for the specific excavator installation, these valves meet the requirement of ISO 8643

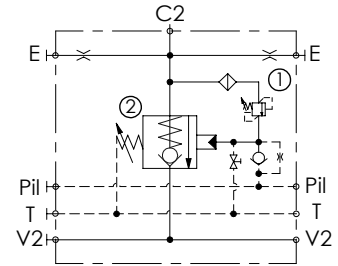
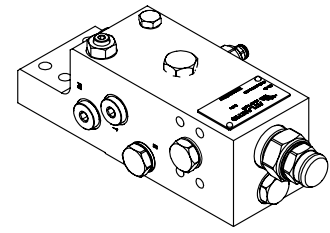
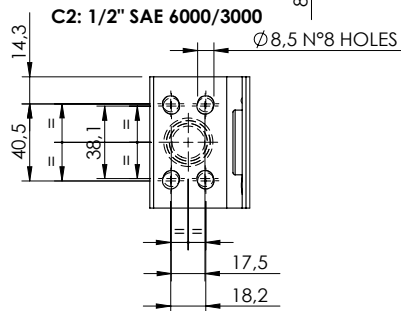
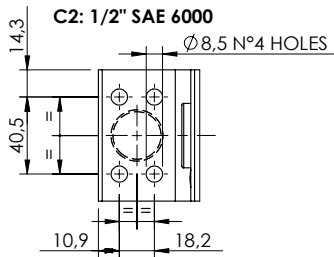
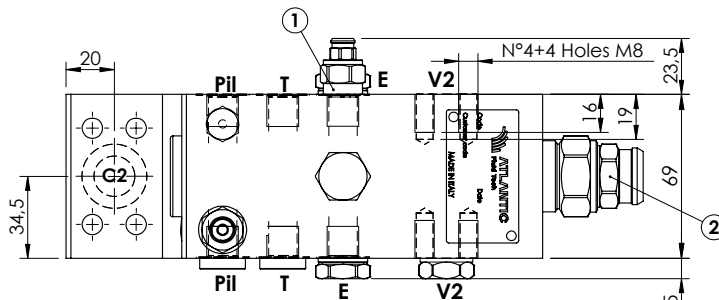
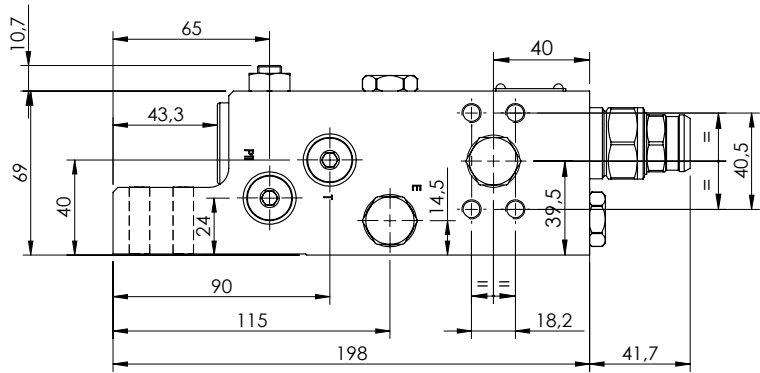
ORDERING CODES

Quick code	Description	Main ports size	Standard setting (bar)	Adjust. range (bar)	Pressure increase (bar/turn)
ML000130	MLST-100-AAGN-00-S12-N420	C2: 1/2" SAE 6000 V2: G 1/2" E,Pii,T: G 1/4	① 350 Q=5 l/min ② 7.5 Crack. pr.	① 150-420 ② 3-15	① 236 ② 6

CHECK AND METERING VALVE

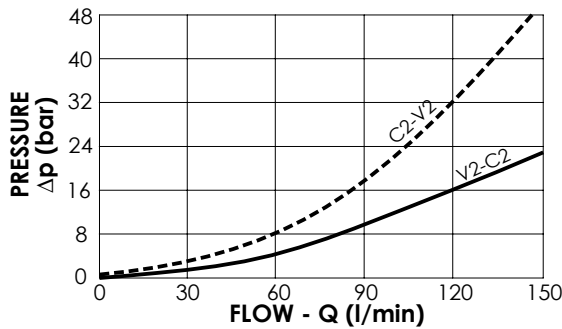
MLST-150-AAGN

**FLANGED TYPE
1/2" SAE 6000**



SPECIFICATIONS

Max. operating pressure:	420 bar
Rated flow:	150 l/min
Manifold:	Steel
Weight:	6,09 kg



NOTES

When correctly adjusted for the specific excavator installation, these valves meet the requirement of ISO 8643

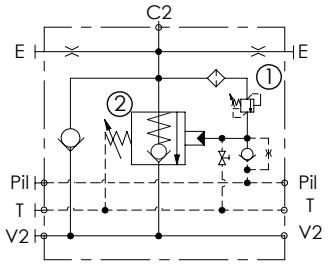
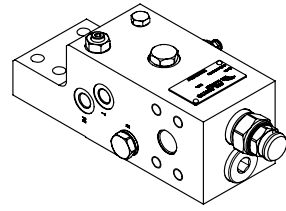
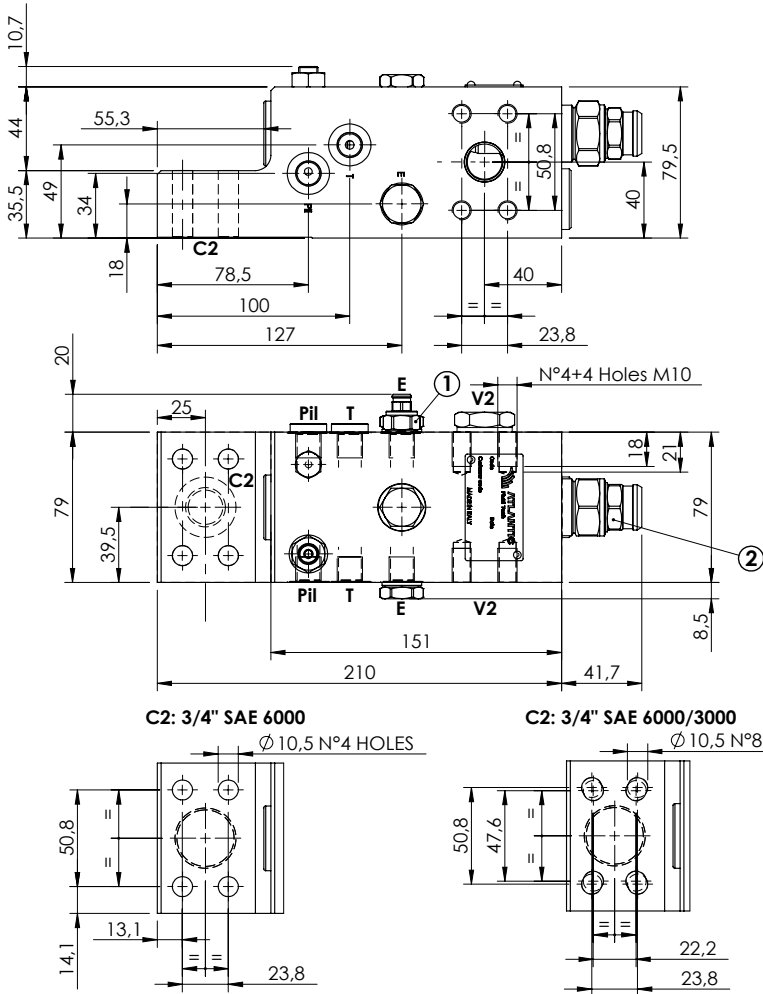
ORDERING CODES

Quick code	Description	Main ports size	Standard setting (bar)	Adjust. range (bar)	Pressure increase (bar/turn)
ML000082	MLST-150-AAGN-00-S12-N420	V2,C2: 1/2" SAE 6000 E,Pil,T: G 1/4"	① 350 Q=5 l/min ② 7.5 Crack. pr.	① 150-420 ② 3-15	① 236 ② 5
ML000083	MLST-150-ASGN-00-S12-N420	C2: 1/2" SAE 6000/3000 V2: 1/2" SAE 6000 E,Pil,T: G 1/4"	① 350 Q=5 l/min ② 7.5 Crack. pr.	① 150-420 ② 3-15	① 236 ② 5

CHECK AND METERING VALVE

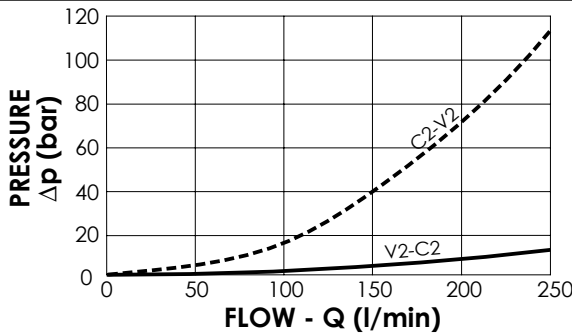
MLST-200-AAGN

**FLANGED TYPE
3/4" SAE 6000**



SPECIFICATIONS

Max. operating pressure:	420 bar
Rated flow:	250 l/min
Manifold:	Steel
Weight:	8,15 kg



NOTES

When correctly adjusted for the specific excavator installation, these valves meet the requirement of ISO 8643

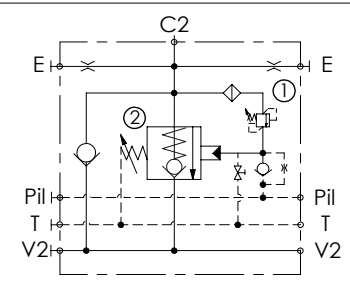
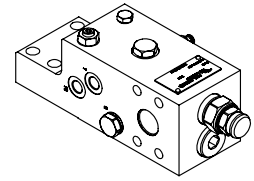
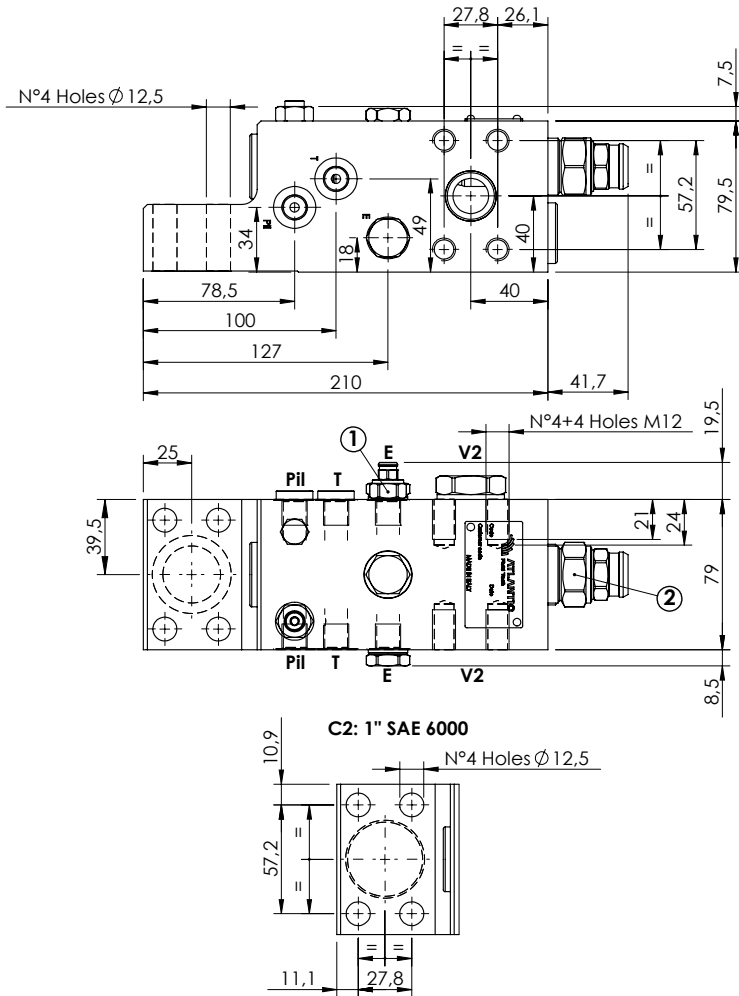
ORDERING CODES

Quick code	Description	Main ports size	Standard setting (bar)	Adjust. range (bar)	Pressure increase (bar/turn)
ML000075	MLST-200-AAGN-00-S34-N420	V2,C2: 3/4" SAE 6000 E,Pii,T: G 1/4"	① 350 Q=5 l/min ② 7.5 Crack. pr.	① 150-420 ② 3-15	① 236 ② 5
ML000076	MLST-200-AAUD-00-S34-N420	V2,C2: 3/4" SAE 6000 E,Pii,T: 9/16-18 UNF-2B	① 350 Q=5 l/min ② 7.5 Crack. pr.	① 150-420 ② 3-15	① 236 ② 5
ML000091	MLST-200-ASGN-00-S34-N420	V2: 3/4" SAE 6000 C2: 3/4" SAE 6000/3000 E,Pii,T: G 1/4"	① 350 Q=5 l/min ② 7.5 Crack. pr.	① 150-420 ② 3-15	① 236 ② 5
ML000112	MLST-200-ASJN-00-S34-N420	V2,C2: 3/4" SAE 6000 E,Pii,T: 1/4" JIS	① 350 Q=5 l/min ② 7.5 Crack. pr.	① 150-420 ② 3-15	① 236 ② 5

CHECK AND METERING VALVE

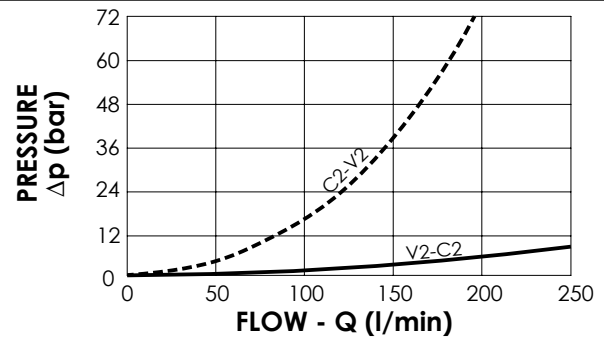
MLST-200-AAGN

FLANGED TYPE
1" SAE 6000



SPECIFICATIONS

Max. operating pressure:	420 bar
Rated flow:	250 l/min
Manifold:	Steel
Weight:	8 kg



NOTES

When correctly adjusted for the specific excavator installation, these valves meet the requirement of ISO 8643

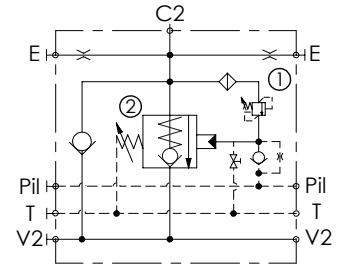
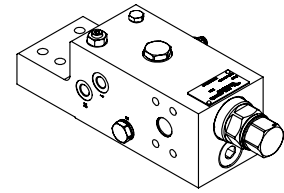
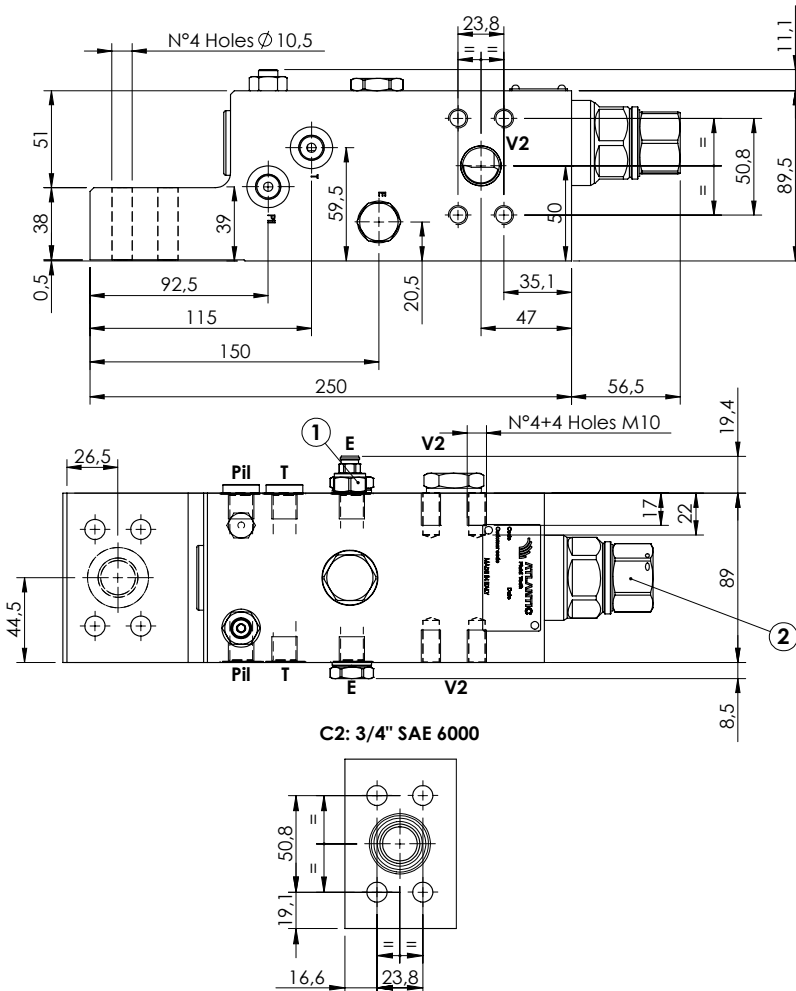
ORDERING CODES

Quick code	Description	Main ports size	Standard setting (bar)	Adjust. range (bar)	Pressure increase (bar/turn)
ML000138	MLST-200-AAGN-00-S10-N420	V2,C2: 1" SAE 6000 E,P11,T: G 1/4"	① 350 Q=5 l/min ② 7.5 Crack. pr.	① 150-420 ② 3-15	① 236 ② 5

CHECK AND METERING VALVE

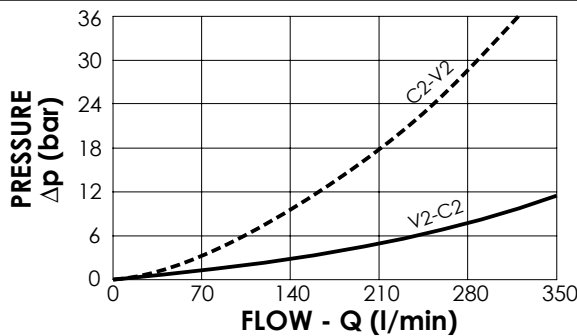
MLST-300-AAGR

**FLANGED TYPE
3/4" SAE 6000**



SPECIFICATIONS

Max. operating pressure:	420 bar
Rated flow:	350 l/min
Manifold:	Steel
Weight:	12,27 kg



NOTES

When correctly adjusted for the specific excavator installation, these valves meet the requirement of ISO 8643

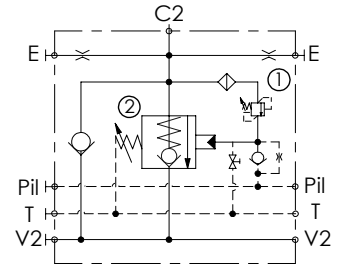
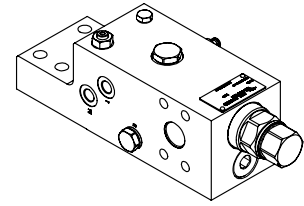
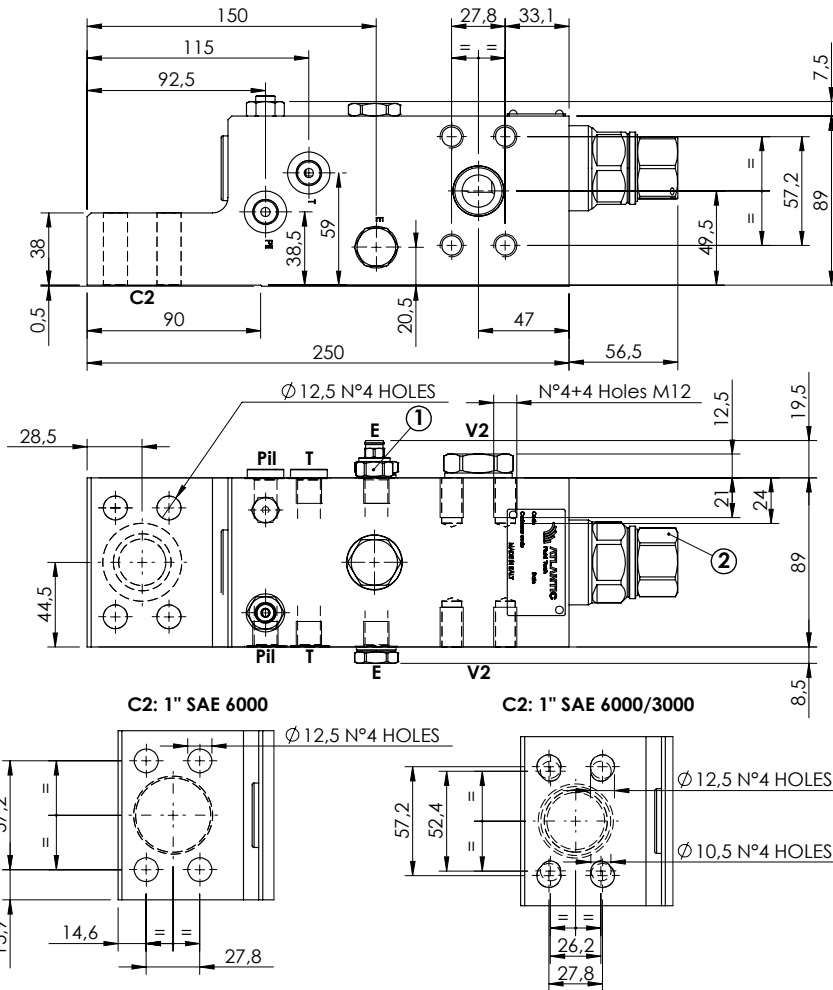
ORDERING CODES

Quick code	Description	Main ports size	Standard setting (bar)	Adjust. range (bar)	Pressure increase (bar/turn)
ML000106	MLST-300-AAGR-00-S34-N420	V2,C2: 3/4" SAE 6000 E,P1i,T: G 1/4"	① 350 Q=5 l/min ② 7.5 Crack. pr.	① 150-420 ② 3-15	① 236 ② 3.4
ML000115	MLST-300-AAJR-00-S34-N420	V2,C2: 3/4" SAE 6000 E,P1i,T: 1/4" JIS	① 350 Q=5 l/min ② 7.5 Crack. pr.	① 150-420 ② 3-15	① 236 ② 3.4

CHECK AND METERING VALVE

MLST-300-AAGN

FLANGED TYPE
1" SAE 6000

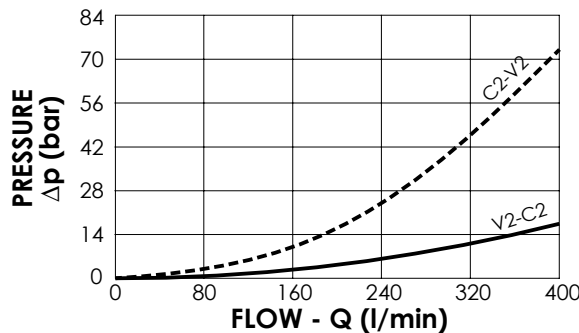


SPECIFICATIONS

Max. operating pressure:	420 bar
Rated flow:	400 l/min
Manifold:	Steel
Weight:	12,14 kg

NOTES

When correctly adjusted for the specific excavator installation, these valves meet the requirement of ISO 8643



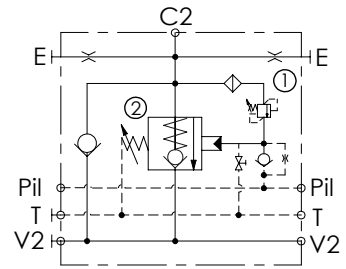
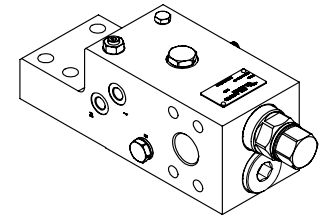
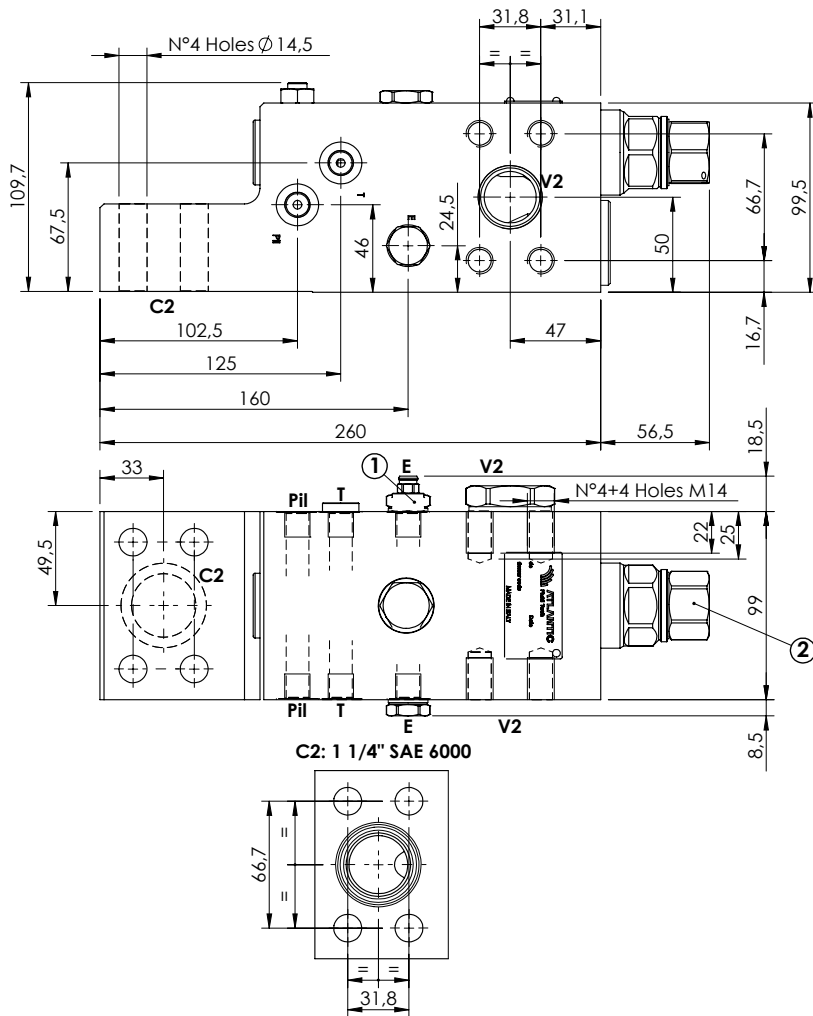
ORDERING CODES

Quick code	Description	Main ports size	Standard setting (bar)	Adjust. range (bar)	Pressure increase (bar/turn)
ML000079	MLST-300-AAGN-00-S10-N420	V2,C2: 1" SAE 6000 E,Pil,T: G 1/4"	① 350 Q=5 l/min ② 7.5 Crack. pr.	① 150-420 ② 3-15	① 236 ② 3.4
ML000080	MLST-300-AAUN-00-S10-N420	V2,C2: 1" SAE 6000 E,Pil,T: 9/16-18 UNF-2B	① 350 Q=5 l/min ② 7.5 Crack. pr.	① 150-420 ② 3-15	① 236 ② 3.4
ML000081	MLST-300-ASGN-00-S10-N420	V2: 1" SAE 6000 C2: 1" SAE 6000/3000 E, Pil, T: G 1/4"	① 350 Q=5 l/min ② 7.5 Crack. pr.	① 150-420 ② 3-15	① 236 ② 3.4
ML000177	MLST-300-ASJN-00-S10-N420	V2,C2: 1" SAE 6000 E, Pil, T: JIS 1/4"	① 350 Q=5 l/min ② 7.5 Crack. pr.	① 150-420 ② 3-15	① 236 ② 3.4

CHECK AND METERING VALVE

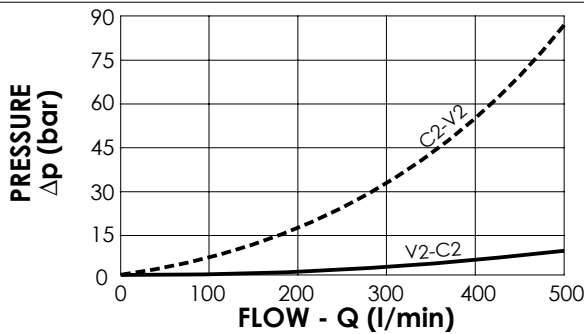
MLST-300-AAGN

FLANGED TYPE
1 1/4" SAE 6000



SPECIFICATIONS

Max. operating pressure:	420 bar
Rated flow:	500 l/min
Manifold:	Steel
Weight:	15,17 kg



NOTES

When correctly adjusted for the specific excavator installation, these valves meet the requirement of ISO 8643

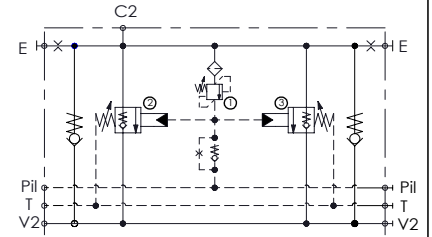
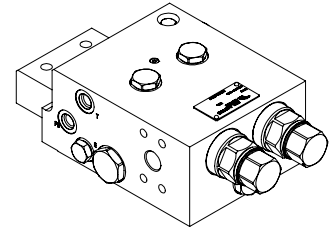
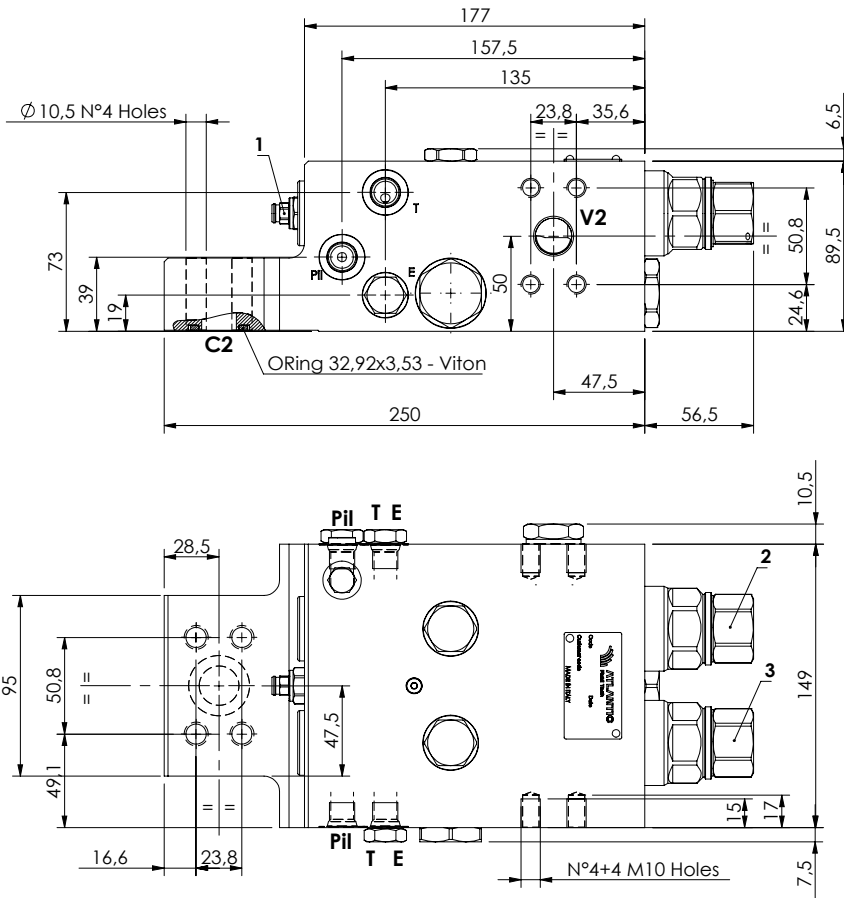
ORDERING CODES

Quick code	Description	Main ports size	Standard setting (bar)	Adjust. range (bar)	Pressure increase (bar/turn)
ML000077	MLST-300-AAGN-00-S11-N420	V2,C2: 1 1/4" SAE 6000 E,Pil,T: G 1/4"	① 350 Q=5 l/min ② 7.5 Crack. pr.	① 150-420 ② 3-15	① 236 ② 3.4
ML000078	MLST-300-AAUN-00-S11-N420	V2,C2: 1 1/4" SAE 6000 E,Pil,T: 9/16-18 UNF-2B	① 350 Q=5 l/min ② 7.5 Crack. pr.	① 150-420 ② 3-15	① 236 ② 3.4
ML000131	MLST-300-AAJN-00-S11-N420	V2,C2: 1 1/4" SAE 6000 E,Pil,T: 1/4" JIS	① 350 Q=5 l/min ② 7.5 Crack. pr.	① 150-420 ② 3-15	① 236 ② 3.4

CHECK AND METERING VALVE

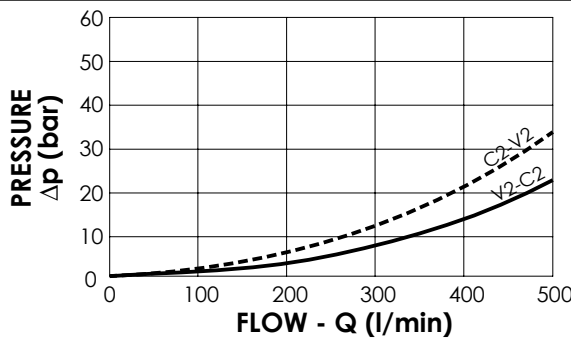
MLST-500-AAJN

FLANGED TYPE
3/4" SAE 6000



SPECIFICATIONS

Max. operating pressure:	420 bar
Rated flow:	500 l/min
Manifold:	Steel
Weight:	19,57 kg



NOTES

When correctly adjusted for the special excavator installation, these valves meet the requirement of ISO 8643

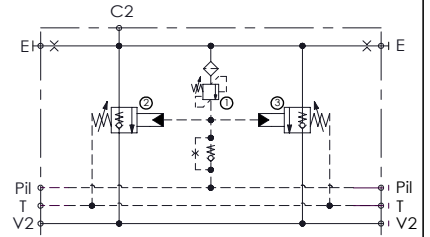
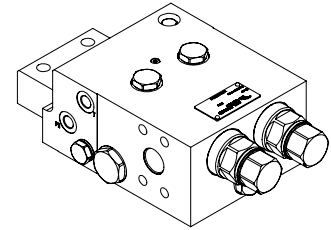
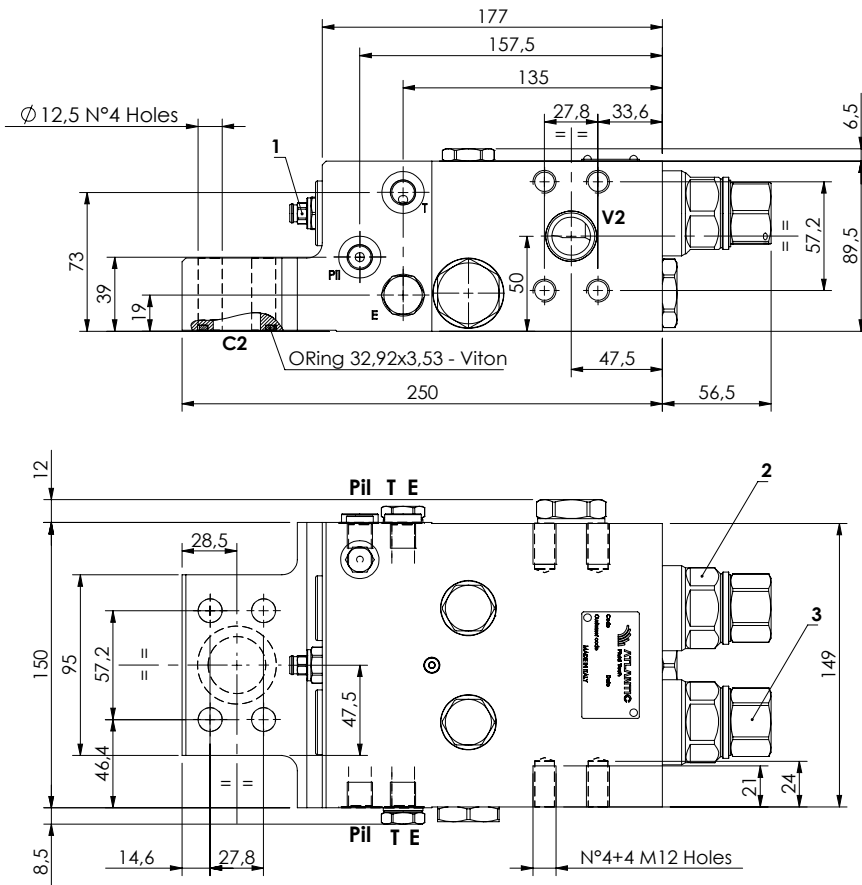
ORDERING CODES

Quick code	Description	Main ports size	Standard setting (bar)	Adjust. range (bar)	Pressure increase (bar/turn)
ML000263	MLST-500-AAJN-00-S34-N420	V2,C2: 3/4" SAE 6000 E,Pii,T: JIS 1/4"	① 350 Q=5 l/min ②③7.5 Crack. pr.	① 150-420 ②③3-15	① 236 ②③3.4

CHECK AND METERING VALVE

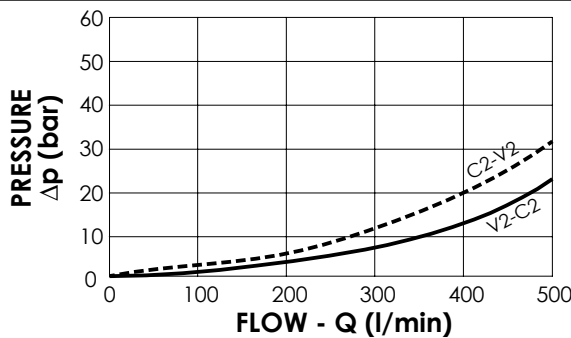
MLST-500-AAGN

FLANGED TYPE
1" SAE 6000



SPECIFICATIONS

Max. operating pressure:	420 bar
Rated flow:	500 l/min
Manifold:	Steel
Weight:	19,49 kg



NOTES

When correctly adjusted for the special excavator installation, these valves meet the requirement of ISO 8643

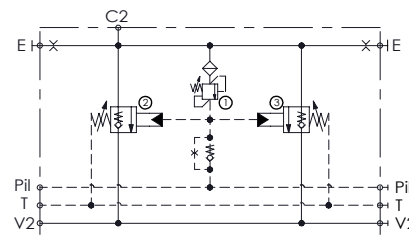
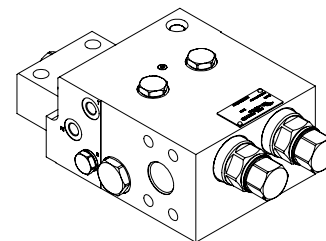
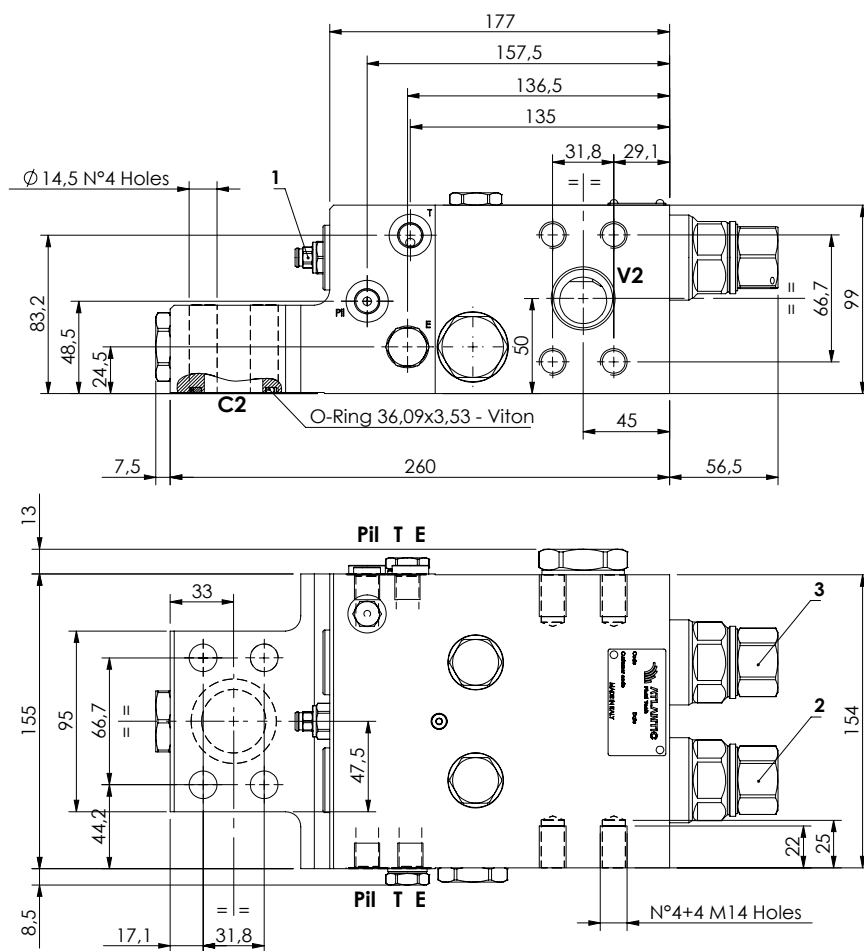
ORDERING CODES

Quick code	Description	Main ports size	Standard setting (bar)	Adjust. range (bar)	Pressure increase (bar/turn)
ML000113	MLST-500-AAGN-00-S10-N420	V2,C2: 1" SAE 6000 E,Pil,T: G 1/4"	① 370 Q=5 l/min ② 10 Crack. pr. ③ 7.5 Crack. pr.	① 150-420 ②③ 3-15	① 236 ②③ 3.4

CHECK AND METERING VALVE

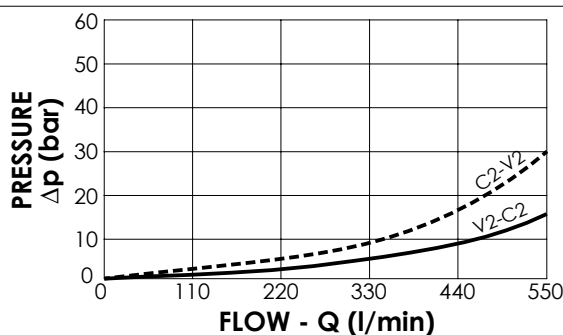
MLST-550-AAGN

FLANGED TYPE
1" 1/4 SAE 6000



SPECIFICATIONS

Max. operating pressure:	420 bar
Rated flow:	550 l/min
Manifold:	Steel
Weight:	22,67 kg



NOTES

When correctly adjusted for the special excavator installation, these valves meet the requirement of ISO 8643

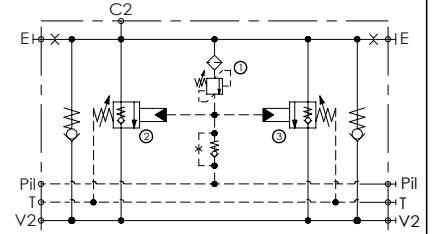
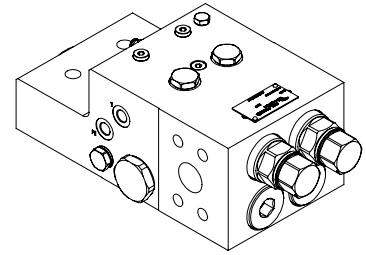
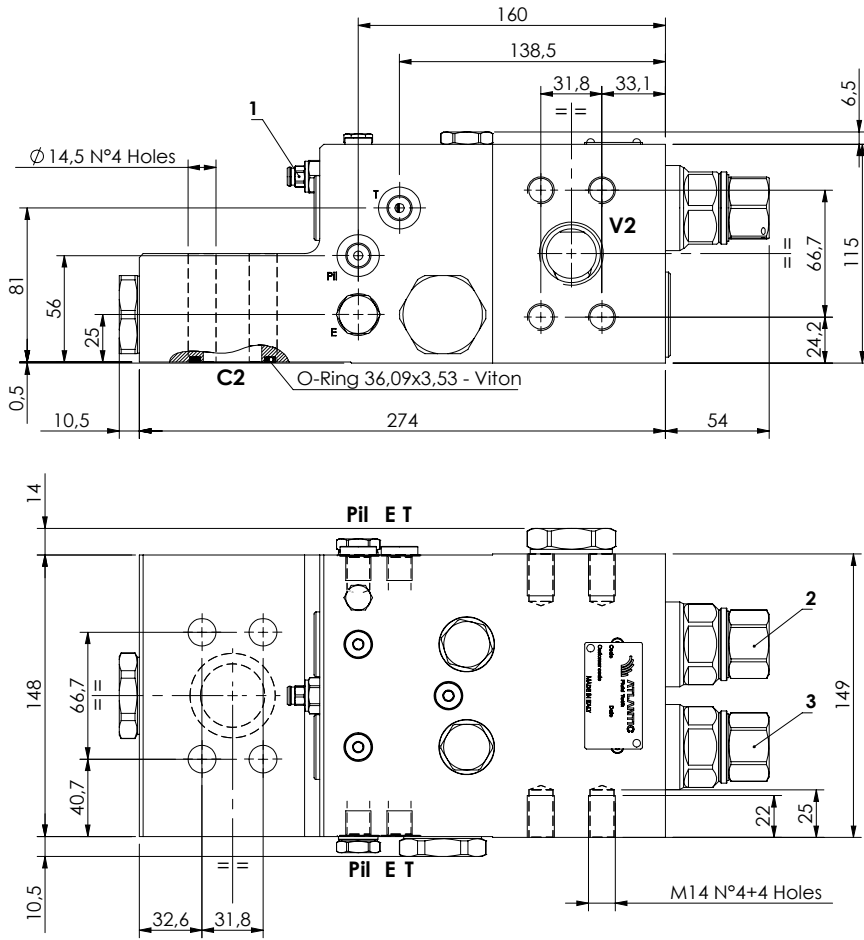
ORDERING CODES

Quick code	Description	Main ports size	Standard setting (bar)	Adjust. range (bar)	Pressure increase (bar/turn)
ML000161	MLST-550-AAGN-00-S11-N420	V2,C2:1" 1/4 SAE 6000 E,Pii,T:G 1/4"	① 350 Q=5 l/min ② ③ 7.5 Crack. pr.	① 150-420 ② ③ 3-15	① 236 ② ③ 3.4

CHECK AND METERING VALVE

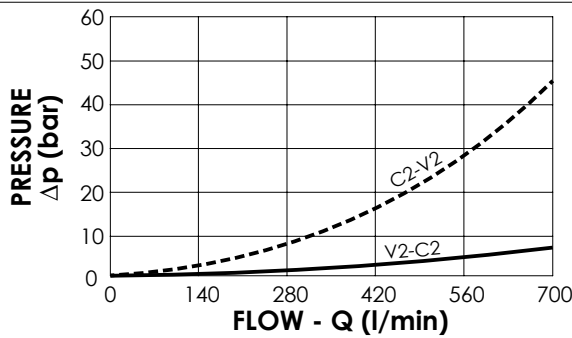
MLST-700-AAGN

**FLANGED TYPE
1" 1/4 SAE 6000**



SPECIFICATIONS

Max. operating pressure:	420 bar
Rated flow:	700 l/min
Manifold:	Steel
Weight:	27,5 kg



NOTES

When correctly adjusted for the special excavator installation, these valves meet the requirement of ISO 8643

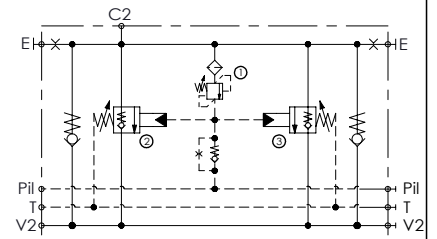
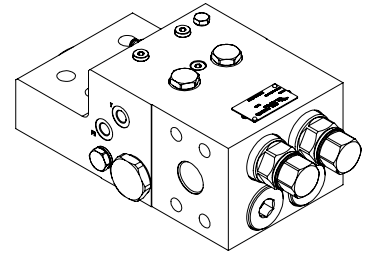
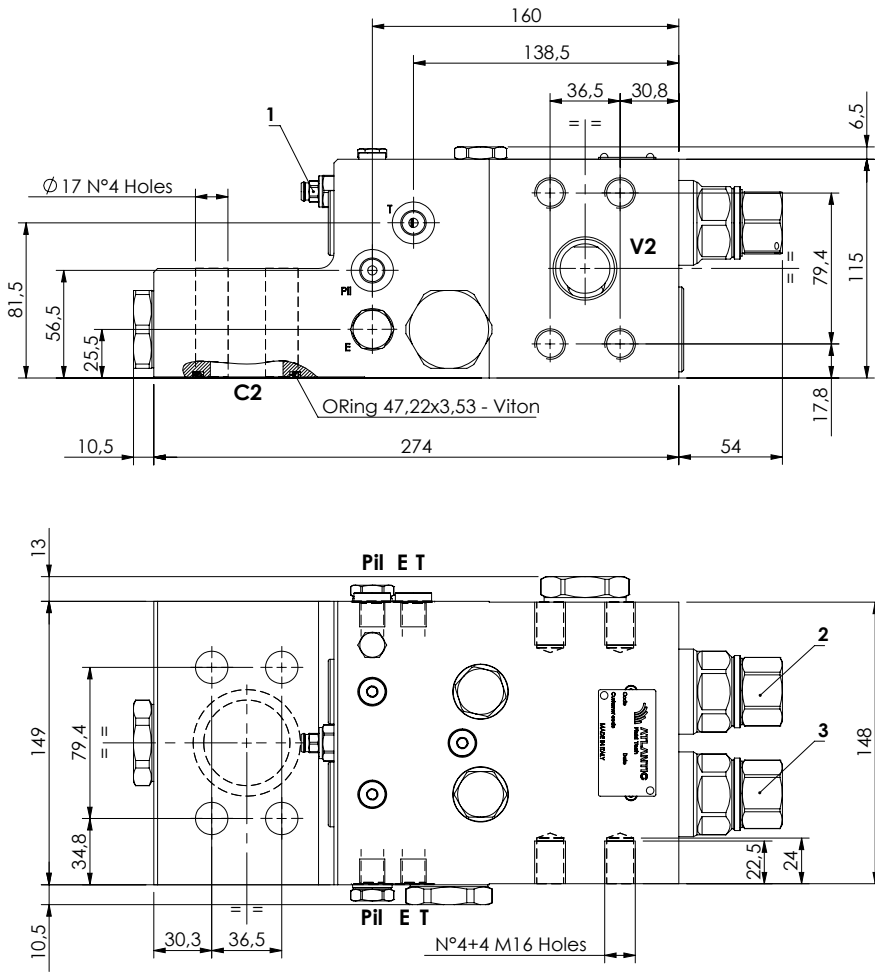
ORDERING CODES

Quick code	Description	Main ports size	Standard setting (bar)	Adjust. range (bar)	Pressure increase (bar/turn)
ML000211	MLST-700-AAGN-00-S11-N420	V2,C2:1" 1/4 SAE 6000 E,P1,T:G 1/4"	① 400 Q=5 l/min ② 10.5 Crack. pr. ③ 7.5 Crack. pr.	① 150-420 ②③ 3-15	① 236 ②③ 3.4

CHECK AND METERING VALVE

MLST-700-AAGN

FLANGED TYPE
1" 1/2 SAE 6000

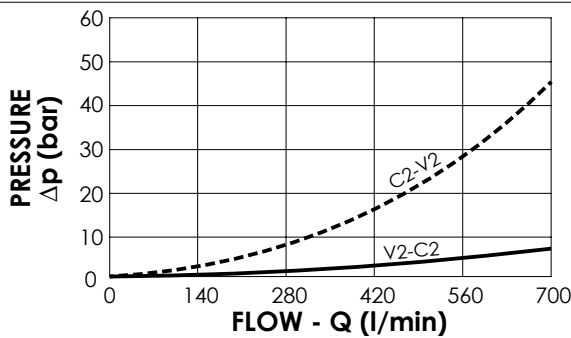


SPECIFICATIONS

Max. operating pressure:	420 bar
Rated flow:	700 l/min
Manifold:	Steel
Weight:	27,3 kg

NOTES

When correctly adjusted for the special excavator installation, these valves meet the requirement of ISO 8643

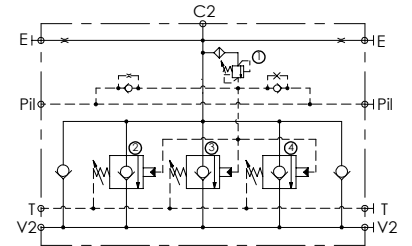
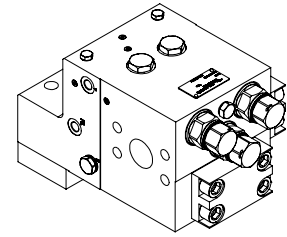
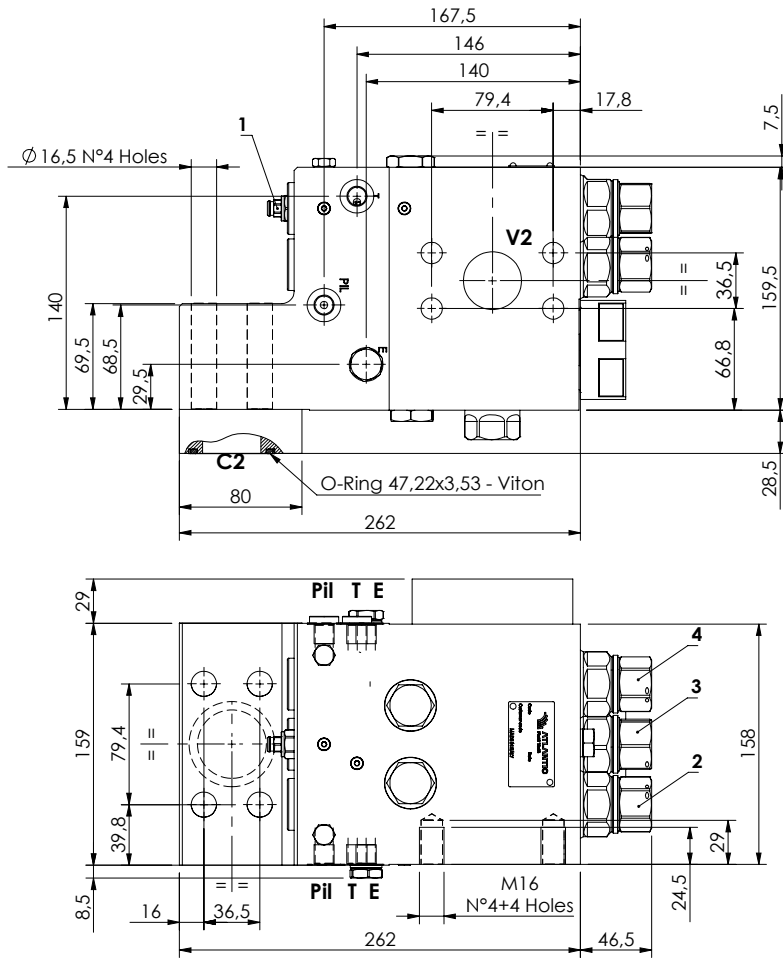


ORDERING CODES

Quick code	Description	Main ports size	Standard setting (bar)	Adjust. range (bar)	Pressure increase (bar/turn)
ML000098	MLST-700-AAGN-00-S22-N420	V2,C2:1" 1/2 SAE 6000 E,Pil,T:G 1/4"	① 400 Q=5 l/min ② 10.5 Crack. pr. ③ 7.5 Crack. pr.	① 150-420 ②③ 3-15	① 236 ②③ 3.4
ML000094	MLST-700-AAJN-00-S22-N420	V2,C2:1" 1/2 SAE 6000 E,Pil,T:1/4" JIS	① 400 Q=5 l/min ② 10.5 Crack. pr. ③ 7.5 Crack. pr.	① 150-420 ②③ 3-15	① 236 ②③ 3.4

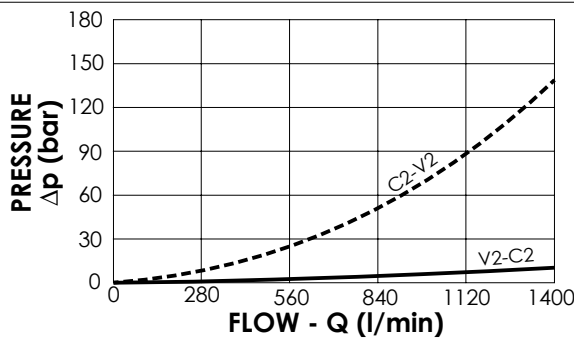
CHECK AND METERING VALVE

MLST-1400-AAGN FLANGED TYPE
1" 1/2 SAE 6000



SPECIFICATIONS

Max. operating pressure:	420 bar
Rated flow:	1400 l/min
Manifold:	Steel
Weight:	43,18 kg



NOTES

When correctly adjusted for the special excavator installation, these valves meet the requirement of ISO 8643

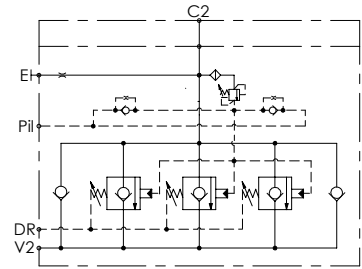
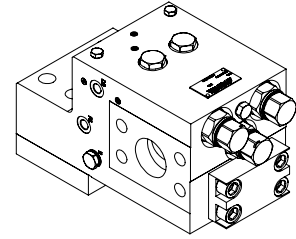
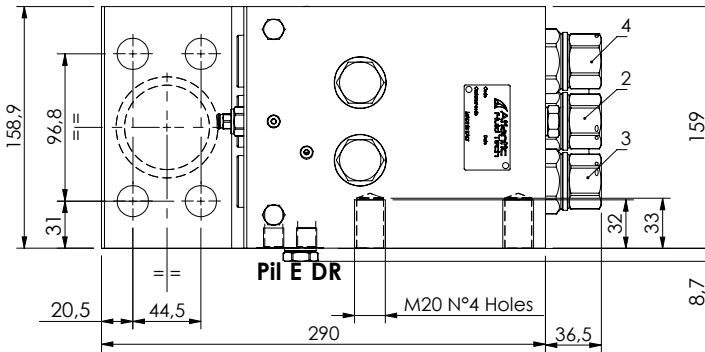
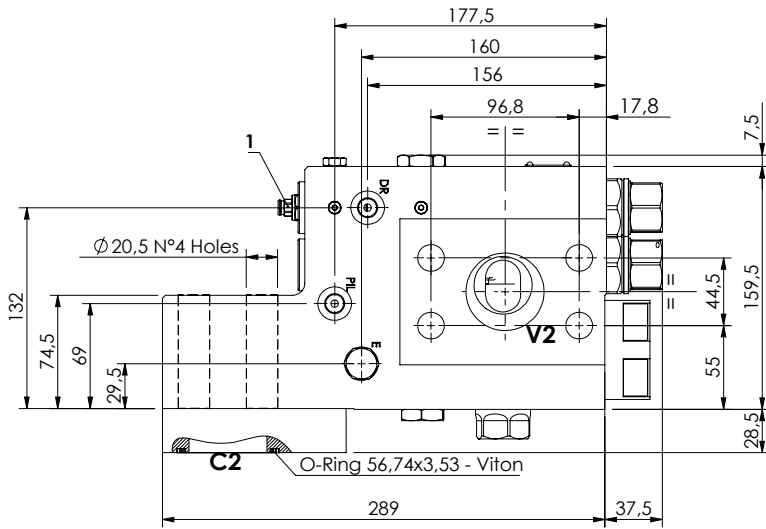
ORDERING CODES

Quick code	Description	Main ports size	Standard setting (bar)	Adjust. range (bar)	Pressure increase (bar/turn)
ML000162	MLST-1400-AAGN-00-S22-N420	V2,C2:1" 1/2 SAE 6000 E,Pil,T:G 1/4"	① 400 Q=5 l/min ③ 7.5 Crack. pr. ②④ 8.5 Crack. pr.	① 150-420 ②③④ 3-15	① 236 ②③④ 3.4

CHECK AND METERING VALVE

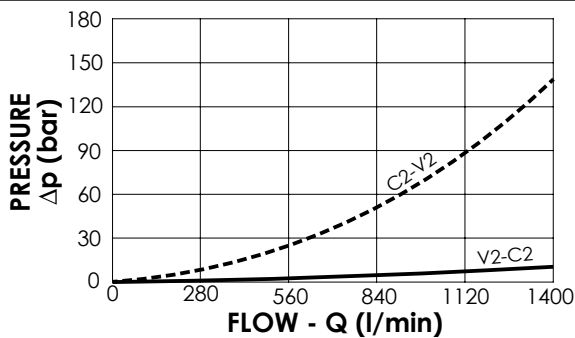
MLST-1400-AAGR

**FLANGED TYPE
2" SAE 6000
RIGHT VERSION**



SPECIFICATIONS

Max. operating pressure:	420 bar
Rated flow:	1400 l/min
Manifold:	Steel
Weight:	45,87 kg



NOTES

When correctly adjusted for the special excavator installation, these valves meet the requirement of ISO 8643

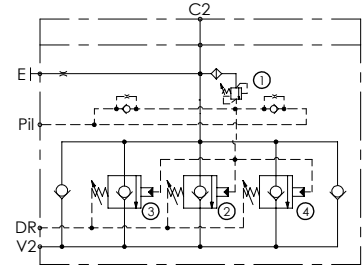
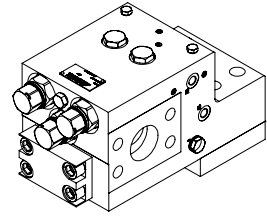
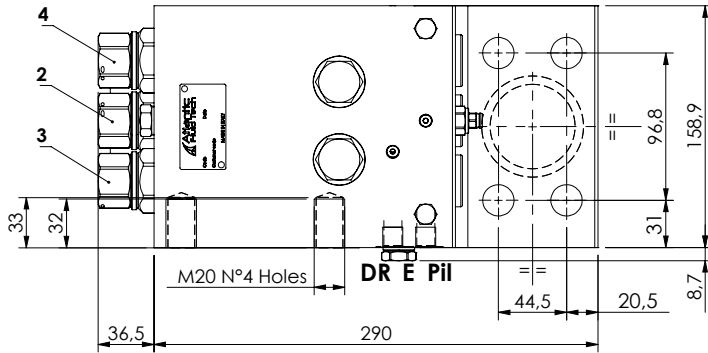
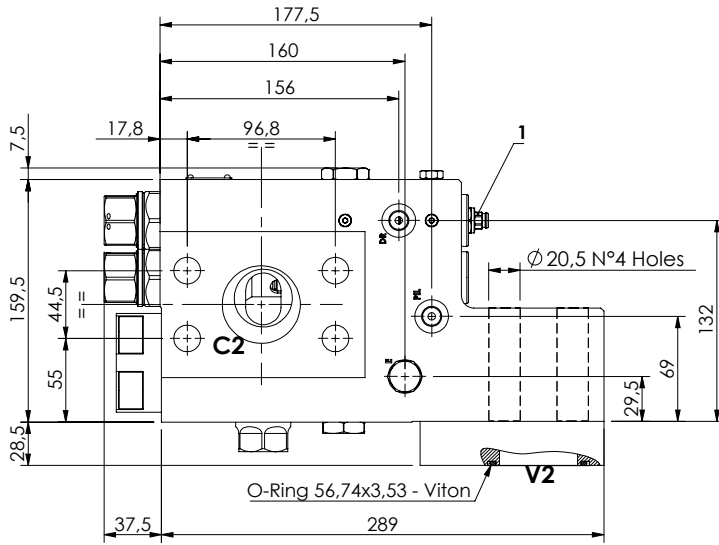
ORDERING CODES

Quick code	Description	Main ports size	Standard setting (bar, Q=5 l/min)	Adjust. range (bar)	Pressure increase (bar/turn)
ML000167	MLST-1400-AAGR-00-S20-N420	V2,C2: 2" SAE 6000 E,Pil,DR: G 1/4"	① 400 Q=5 l/min ② 7,5 Crack. pr. ③ 48,5 Crack. pr.	① 150-420 ② ③ ④ 3-15	① 236 ② ③ ④ 3.4

CHECK AND METERING VALVE

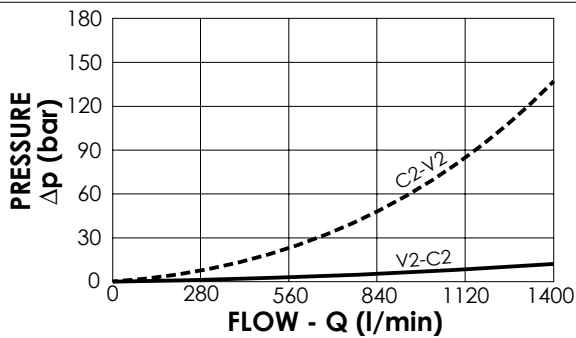
MLST-1400-AAGL

**FLANGED TYPE
2" SAE 6000
LEFT VERSION**



SPECIFICATIONS

Max. operating pressure:	420 bar
Rated flow:	1400 l/min
Manifold:	Steel
Weight:	45,85 kg



NOTES

When correctly adjusted for the special excavator installation, these valves meet the requirement of ISO 8643

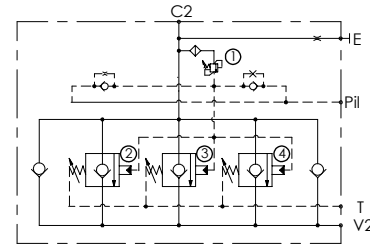
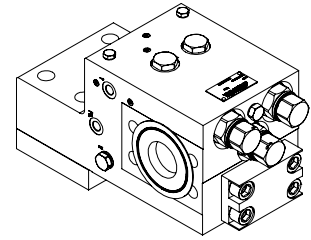
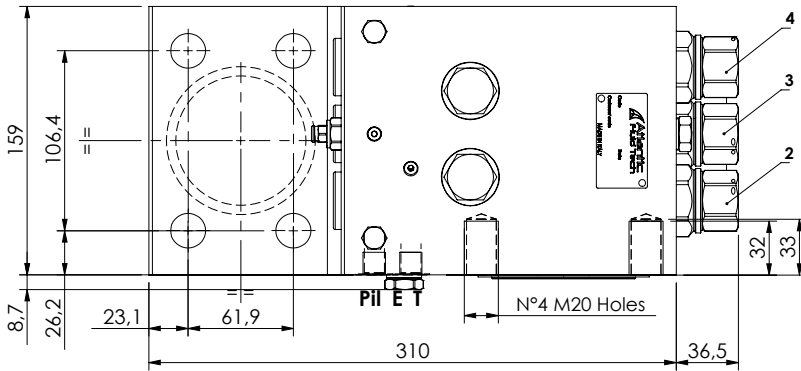
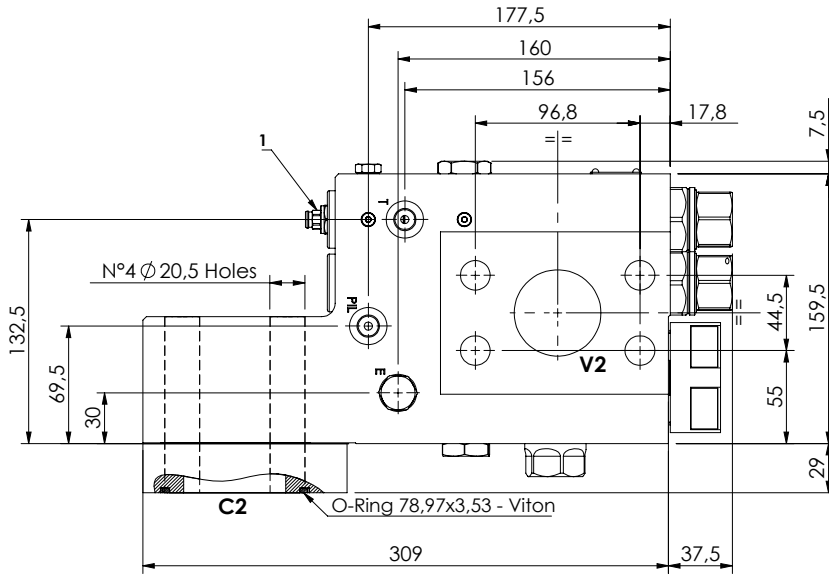
ORDERING CODES

Quick code	Description	Main ports size	Standard setting (bar)	Adjust. range (bar)	Pressure increase (bar/turn)
ML000166	MLST-1400-AAGL-00-S20-N420	V2,C2:2" SAE 6000 E,Pil,T:G 1/4"	① 400 Q=5 l/min ② 7,5 Crack. pr. ③ ④ 8,5 Crack. pr.	① 150-420 ② ③ ④ 3-15	① 236 ② ③ ④ 3.4

CHECK AND METERING VALVE

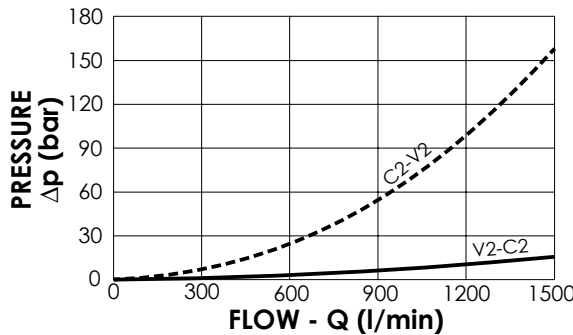
MLST-1500-AAGR

**FLANGED TYPE
3" SAE 3000 / 2" SAE 6000
RIGHT VERSION**



SPECIFICATIONS

Max. operating pressure:	420 bar
Rated flow:	1500 l/min
Manifold:	Steel
Weight:	47,16 kg



NOTES

When correctly adjusted for the special excavator installation, these valves meet the requirement of ISO 8643

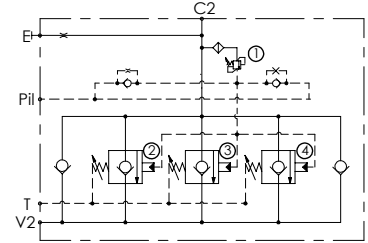
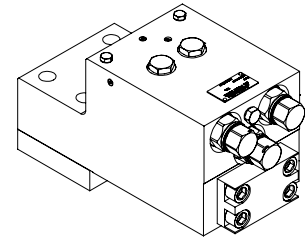
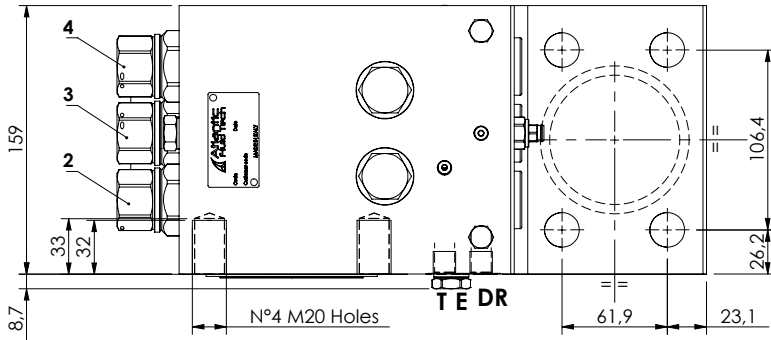
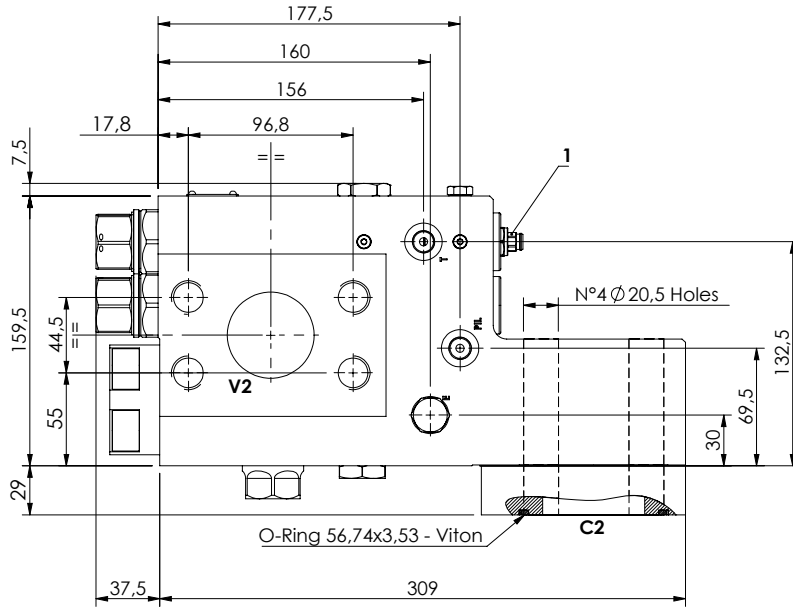
ORDERING CODES

Quick code	Description	Main ports size	Standard setting (bar)	Adjust. range (bar)	Pressure increase (bar/turn)
ML000164	MLST-1500-AAGR-00-S30-N420	V2:2" SAE 6000 C2:3" SAE 3000 E,P,H,T:G 1/4"	① 400 Q=5 l/min ② ④ 8.5 Crack. pr. ③ 7.5 Crack. pr.	① 150-420 ② ③ ④ 3-15	① 236 ② ③ ④ 3.4

CHECK AND METERING VALVE

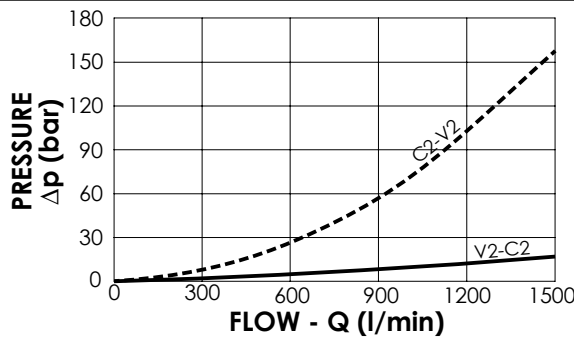
MLST-1500-AAGL

**FLANGED TYPE
3" SAE 3000 / 2" SAE 6000
LEFT VERSION**



SPECIFICATIONS

Max. operating pressure:	420 bar
Rated flow:	1500 l/min
Manifold:	Steel
Weight:	47,15 kg



NOTES

When correctly adjusted for the special excavator installation, these valves meet the requirement of ISO 8643

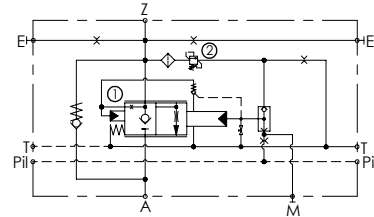
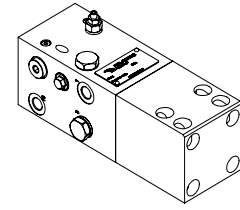
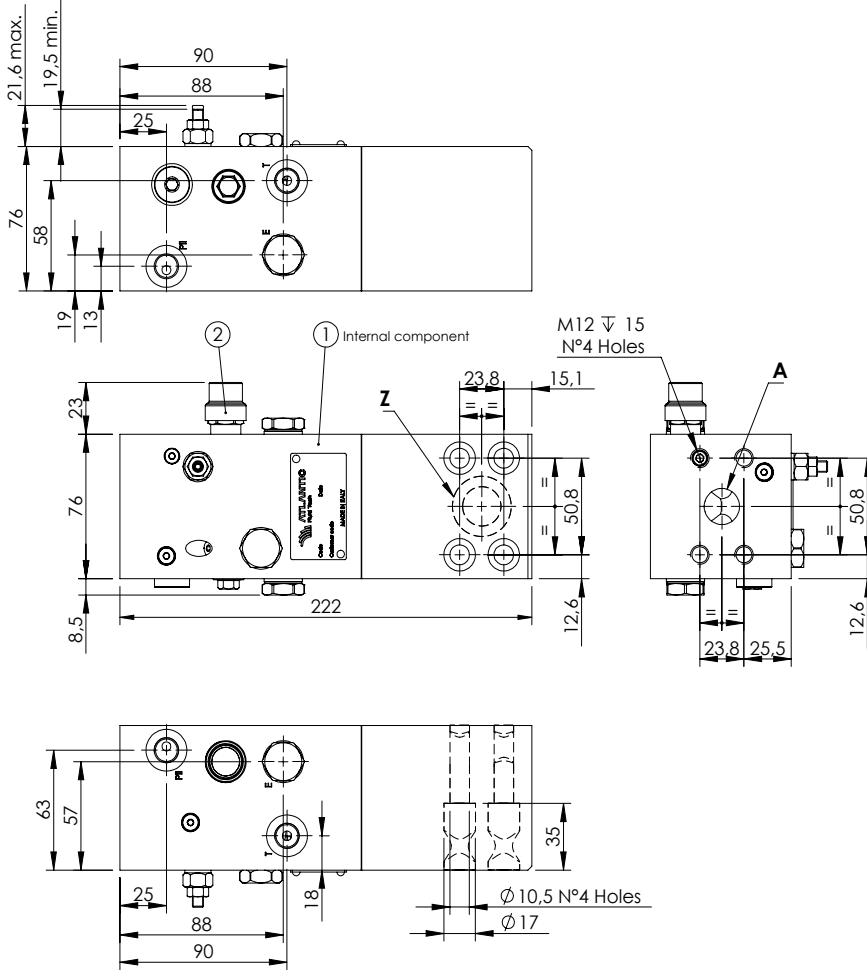
ORDERING CODES

Quick code	Description	Main ports size	Standard setting (bar)	Adjust. range (bar)	Pressure increase (bar/turn)
ML000163	MLST-1500-AAGL-00-S30-N420	V2:2" SAE 6000 C2:3" SAE 3000 E,Pii,T:G 1/4"	① 400 Q=5 l/min ② ④ 8.5 Crack. pr. ③ 7.5 Crack. pr.	① 200-420 ② ③ ④ 3-15	① 236 ② ③ ④ 3.4

CHECK AND METERING VALVE

MLNT-250-AAGN

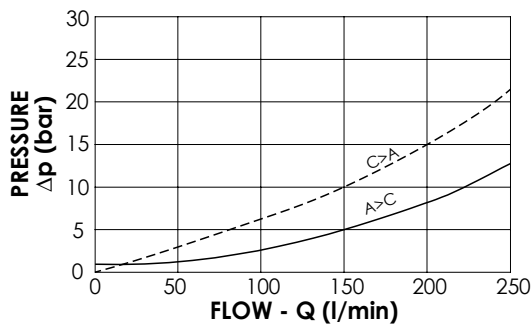
FLANGE TYPE
3/4" SAE 6000



SPECIFICATIONS

Max. operating pressure:	420 bar
Rated flow:	250 l/min
Manifold:	Steel
Weight:	8,31 kg

PATENTED



NOTES

When correctly adjusted for the special excavator installation, these valves meet the requirement of ISO 8643

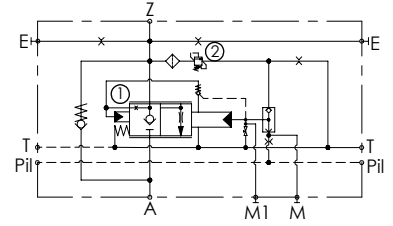
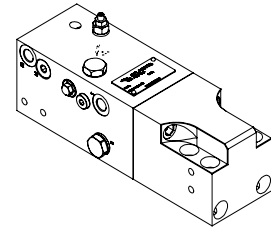
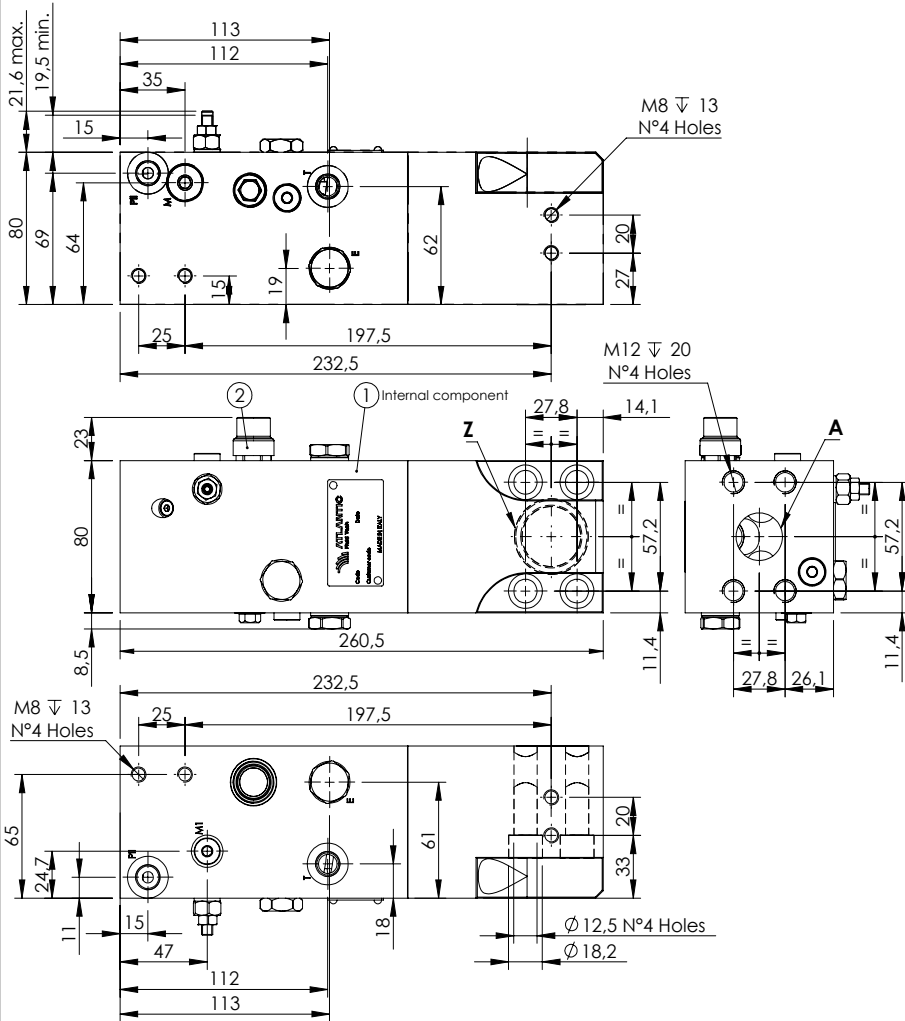
ORDERING CODES

Quick code	Description	Main ports size	Standard setting (bar)	Adjust. range (bar)	Pressure increase (bar/turn)
ML000337	MLNT-250-AAGN-00-S34-N420	Z,A: 3/4" SAE 6000 E,T,Pii,M: G1/4"	① 5,5 Crack. pr. ② 420 Q=5 l/min	① 3 - 10 ② 200 - 420	① 1,8 ② 236

CHECK AND METERING VALVE

MLNT-350-AAGN

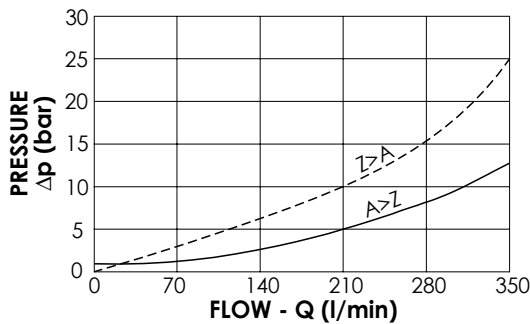
**FLANGE TYPE
1" SAE 6000**



SPECIFICATIONS

Max. operating pressure:	420 bar
Rated flow:	350 l/min
Manifold:	Steel
Weight:	10,18 kg

PATENTED



NOTES

When correctly adjusted for the special excavator installation, these valves meet the requirement of ISO 8643

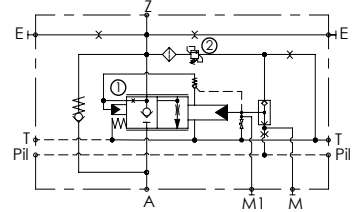
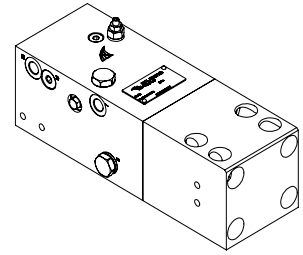
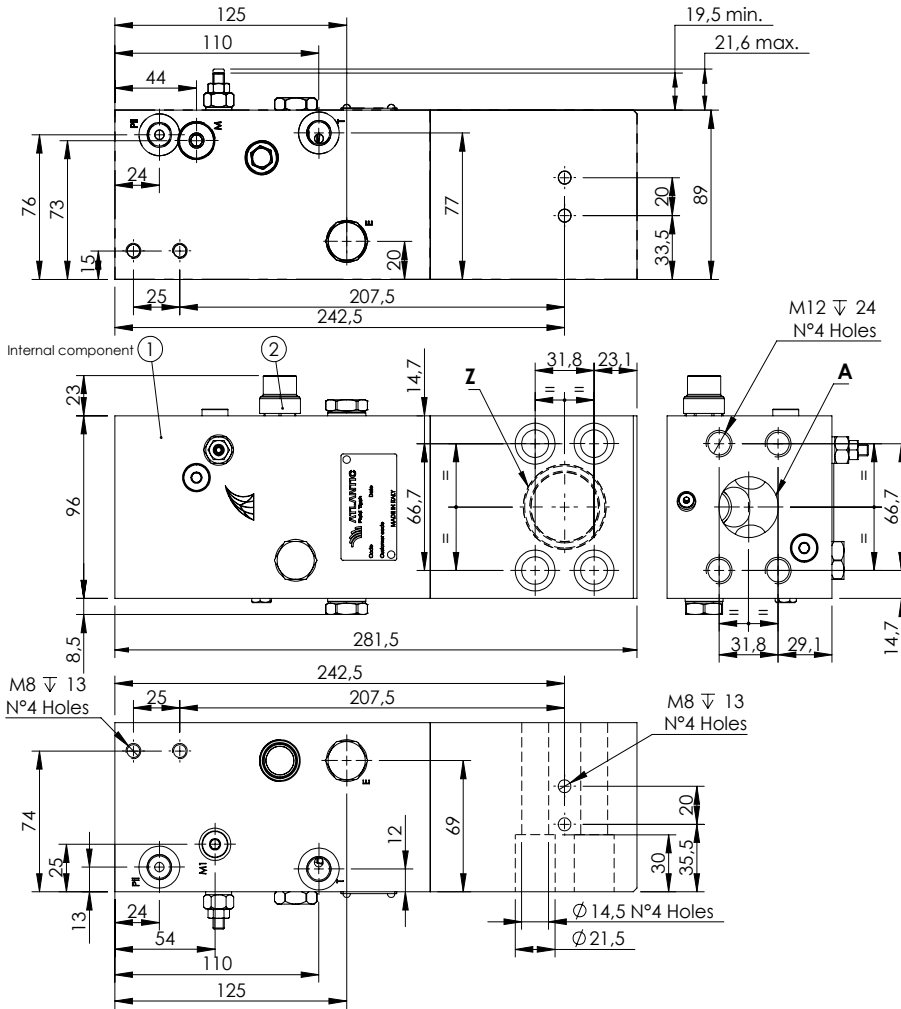
ORDERING CODES

Quick code	Description	Main ports size	Standard setting (bar)	Adjust. range (bar)	Pressure increase (bar/turn)
ML000271	MLNT-350-AAGN-00-S10-N420	Z,A: 1" SAE 6000 E,T,Pil,M: G1/4" M1: G1/8"	① 5,5 Crack. pr. ② 420 Q=5 l/min	① 3 - 17 ② 200 - 420	① 2,4 ② 236

CHECK AND METERING VALVE

MLNT-500-AAGN

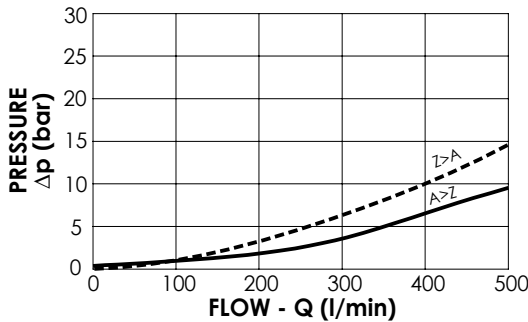
FLANGE TYPE
1"-1/4 SAE 6000



SPECIFICATIONS

Max. operating pressure:	420 bar
Rated flow:	500 l/min
Manifold:	Steel
Weight:	14,9 kg

PATENTED



NOTES

When correctly adjusted for the special excavator installation, these valves meet the requirement of ISO 8643

ORDERING CODES

Quick code	Description	Main ports size	Standard setting (bar)	Adjust. range (bar)	Pressure increase (bar/turn)
ML000333	MLNT-500-AAGN-00-S11-N420	Z,A: 1"-1/4 SAE 6000 E,T,Pii,M: G1/4" M1: G1/8"	① 5,5 Crack. pr. ② 420 Q=5 l/min	① 2 - 20 ② 200 - 420	① 2,0 ② 236

