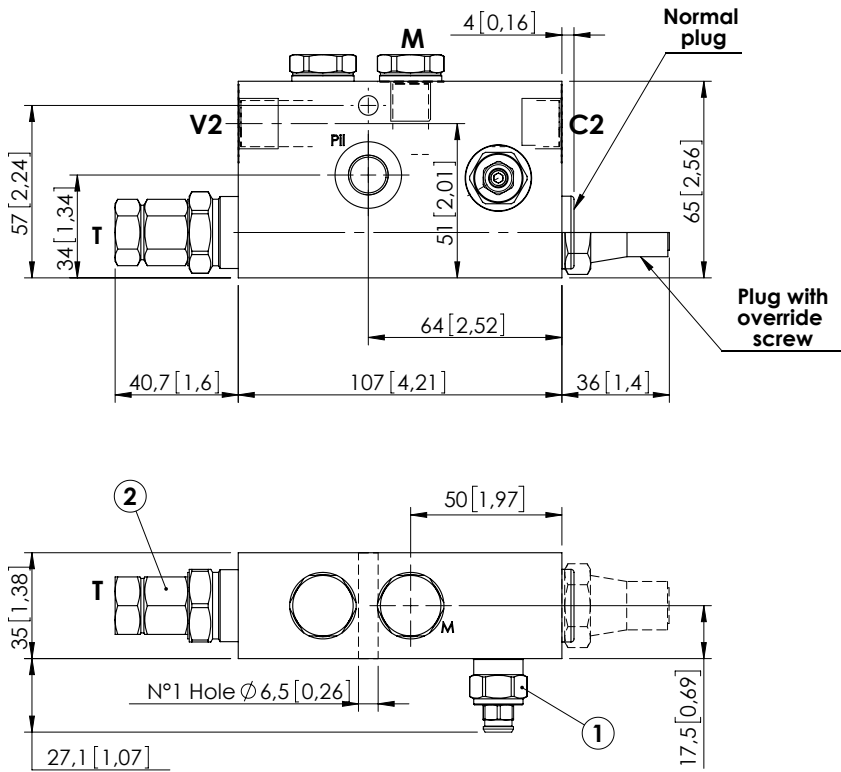


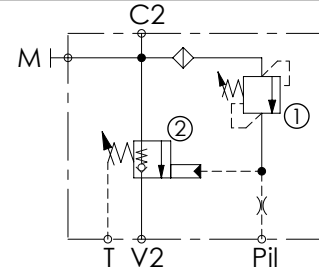
CHECK AND METERING VALVE

# MLST-040-ALGL

IN LINE VERSION  
LEFT VERSION



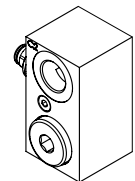
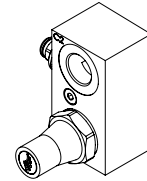
Dimensions: mm [inches]



## SPECIFICATIONS

Max. operating pressure:	420 bar (6000 psi)
Rated flow:	40 l/min (11 gpm)
Manifold:	Steel
Weight:	1,86 kg (4,1 lbs)
Contamination class to ISO 4406:	See technical spec.
MTTFa:	150 years

## OPTIONS



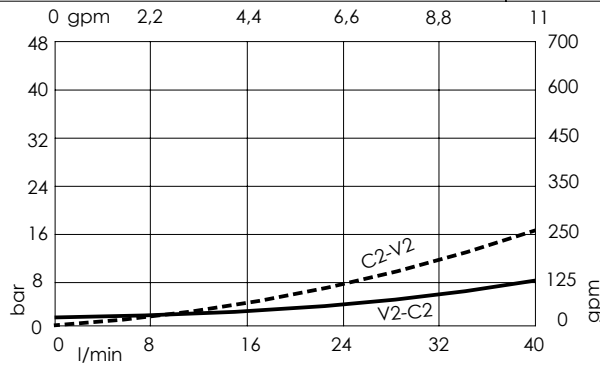
Plug with override screw

Normal plug

## NOTES

When correctly adjusted for the specific excavator installation, these valves meet the requirement of ISO 8643.

## CURVES



## ORDERING CODES

Quick code	Description	Main ports size	Plug with override screw	Standard setting	Adjustment range	Pressure increase
ML000145	MLST-040-ALGL-00-G38-N420	V2,C2: G 3/8" P11,T,M: G 1/4"	No	① 350 bar @5 l/min (5000 psi @1,3 gpm) ② 7.5 bar (100 psi) Crack. pr.	① 150-420 bar (2100-6000 psi) ② 3-15 bar (50-200 psi)	① 236 bar/turn (3400 psi/turn) ② 6.7 bar/turn (100 psi/turn)
ML000146	MLST-040-ALGL-00-G38-E420	V2,C2: G 3/8" P11,T,M: G 1/4"	Yes	① 350 bar @5 l/min (5000 psi @1,3 gpm) ② 7.5 bar (100 psi) Crack. pr.	① 150-420 bar (2100-6000 psi) ② 3-15 bar (50-200 psi)	① 236 bar/turn (3400 psi/turn) ② 6.7 bar/turn (100 psi/turn)
ML000187	MLST-040-ALJL-00-J38-N420	V2,C2: JIS 3/8" P11,T,M: JIS 1/4"	No	① 350 bar @5 l/min (5000 psi @1,3 gpm) ② 7.5 bar (100 psi) Crack. pr.	① 150-420 bar (2100-6000 psi) ② 3-15 bar (50-200 psi)	① 236 bar/turn (3400 psi/turn) ② 6.7 bar/turn (100 psi/turn)
ML000188	MLST-040-ALJL-00-J38-E420	V2,C2: JIS 3/8" P11,T,M: JIS 1/4"	Yes	① 350 bar @5 l/min (5000 psi @1,3 gpm) ② 7.5 bar (100 psi) Crack. pr.	① 150-420 bar (2100-6000 psi) ② 3-15 bar (50-200 psi)	① 236 bar/turn (3400 psi/turn) ② 6.7 bar/turn (100 psi/turn)