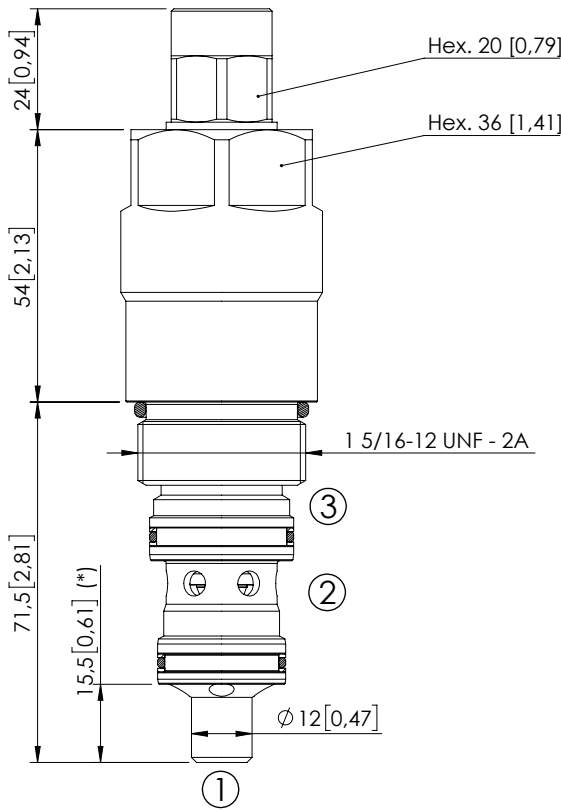
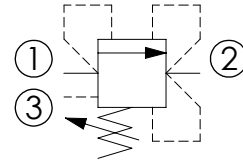


# CPLT-080-DHNA

DIRECT ACTING  
STABILIZED PISTON  
CHAMBER VENTED



Dimensions: mm [inches]



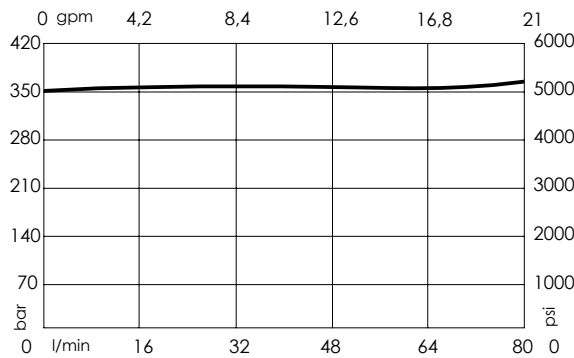
## SPECIFICATIONS

|                                  |                              |
|----------------------------------|------------------------------|
| Max. operating pressure:         | 350 bar (5000 psi)           |
| Rated flow:                      | 80 l/min (21 gpm)            |
| Cavity:                          | SAE-16-3C                    |
| Weight:                          | 0,75 kg (1,65 lbs)           |
| Contamination class to ISO 4406: | See technical spec.          |
| Seal kit:                        | RB700089                     |
| Installation torque:             | 118 - 132 Nm (87 - 97 ft-lb) |
| MTF <sub>d</sub> :               | 150 years                    |

## NOTES

(\*) The cartridge exceed overall dimension of the standard cavity into port 1.

## CURVES



## ORDERING CODES

| Quick code | Description               | Standard setting (cracking pressure) | Adjustment range            | Pressure increase          |
|------------|---------------------------|--------------------------------------|-----------------------------|----------------------------|
| CP000171   | CPLT-080-DHNA-HN-S16-V420 | 400 bar (5700 psi)                   | 150-420 bar (2100-6000 psi) | 53 bar/turn (750 psi/turn) |
| CP000513   | CPLT-080-DHNA-HN-S16-V350 | 350 bar (5000 psi)                   | 100-350 bar (1400-5000 psi) | 42 bar/turn (600 psi/turn) |
| CP000501   | CPLT-080-DHNA-HN-S16-V200 | 200 bar (2900 psi)                   | 60-210 bar (900-3000 psi)   | 24 bar/turn (350 psi/turn) |
| CP000514   | CPLT-080-DHNA-HN-S16-V100 | 100 bar (1400 psi)                   | 25-100 bar (400-1400 psi)   | 13 bar/turn (200 psi/turn) |
| CP000515   | CPLT-080-DHNA-HN-S16-V050 | 50 bar (700 psi)                     | 5-50 bar (100-700 psi)      | 9 bar/turn (150 psi/turn)  |