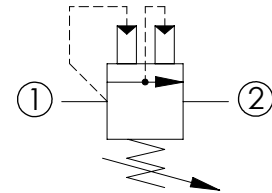
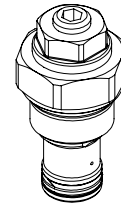
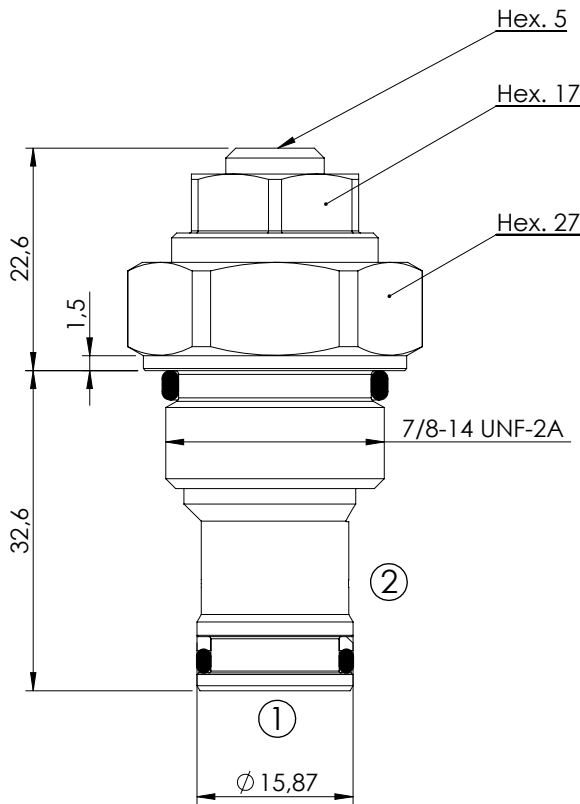


RELIEF VALVE

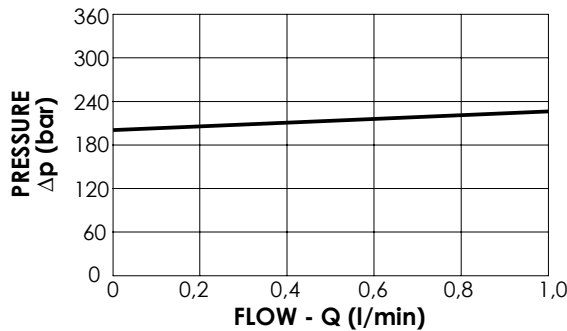
**CPSK-001-PPNA**

DIRECT ACTING  
POPPET TYPE  
KICK DOWN TYPE



**SPECIFICATIONS**

Max. operating pressure:	350 bar
Rated flow:	1 l/min
Cavity:	SAE-10-2N
Weight:	0,13 kg



**NOTES**

Installation torque:	55 - 62 Nm
Seal kit:	RA700082

When the pressure exceeds the setting of the valve the poppet opens and unload the system to 10 bar. The valve closes when the flow is reduced to 0 l/min.

**ORDERING CODES**

Quick code	Description	Standard setting (bar, cracking press.)	Adjustment range (bar)	Pressure increase (bar/turn)
CP000227	CPSK-001-PPNA-SN-S10-N350	175	140-350	70,5