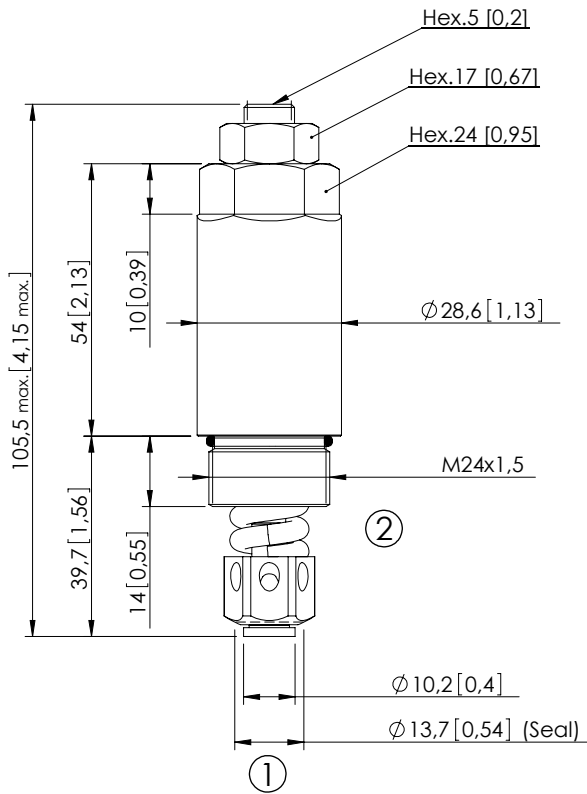


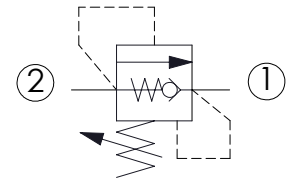
RELIEF VALVE

CPAN-160-DHGA

DIRECT ACTING
STABILIZED PISTON



Dimensions: mm [inches]

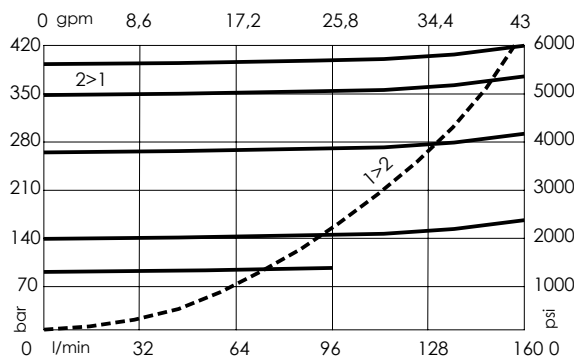


SPECIFICATIONS

Max. operating pressure:	400 bar (6000 psi)
Rated flow:	160 l/min (43 gpm)
Cavity:	VP000250
Weight:	0,32 kg (0,71 lbs)
Contamination class to ISO 4406:	See technical spec.
Seal kit:	RC900250
Installation torque:	45 - 50 Nm (33 - 37 ft-lb)
MTTF _d :	150 years

NOTES

CURVES



ORDERING CODES

Quick code	Description	Standard setting (cracking pressure)	Adjustment range	Pressure increase
CP000117	CPAN-160-DHGA-HN-250-N400	400 bar (5800 psi)	350-400 bar (5000-5800 psi)	72 bar/turn (1000 psi/turn)
CP000116	CPAN-160-DHGA-HN-250-N350	350 bar (5000 psi)	270-350 bar (3900-5000 psi)	58 bar/turn (800 psi/turn)
CP000110	CPAN-160-DHGA-HN-250-N270	270 bar (3900 psi)	140-270 bar (2000-3900 psi)	49 bar/turn (700 psi/turn)
CP000115	CPAN-160-DHGA-HN-250-N140	140 bar (2000 psi)	90-140 bar (1300-2000 psi)	36 bar/turn (500 psi/turn)
CP000123	CPAN-160-DHGA-HN-250-N090	90 bar (1300 psi)	50-90 bar (700-1300 psi)	13 bar/turn (200 psi/turn)